

Primo Sliding Doors

MADE IN ITALY

Sliding door cabinet W 1200
W 1200 x D 450 x H 723 mm

Body: metal

V1 ○ white RAL 9010

art.6PSCK101Z S711

V6 ● aluminium RAL 9006

art.6PSCK101Z S380

V22 ● black RAL 9005

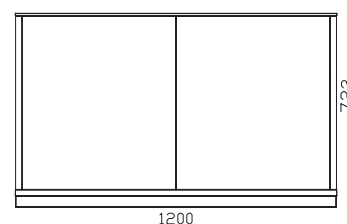
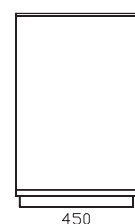
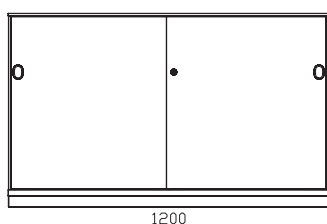
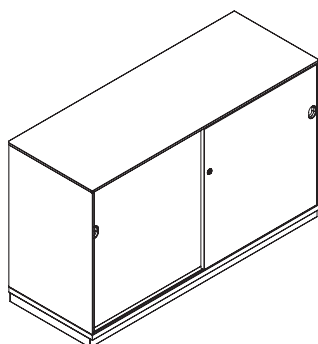
art.6PSCK101Z S811

DESIGNER Takiro Yuta

Front

Side

Back



Primo Sliding Doors

MADE IN ITALY

Sliding door cabinet W 1200
W 1200 x D 450 x H 723 mm

DESIGNER Takiro Yuta

DESCRIPTION Sliding door cabinet

W 1200 mm x D 450 mm x H 723 mm

EXTERNAL

DIMENSIONS

W 1146 x D 388 mm x H 633 mm

INTERNAL

DIMENSIONS

BINDERS Capacity: N°13

HANGING FILES Capacity: 105 hanging files

PRODUCTION

- > Dieffebi S.p.a.
- > Start of production: 2018
- > Country of production: Italia

MAINTENANCE

- > Clean with a soft cloth
- > Do not treat the surfaces with abrasive cloths

MATERIALS

- > Structure and doors: in recycled and recyclable metal

FINISHING

- > Low-emission powder coating (material inert)
- > Heavy metals free
- > Absence of sharp edges
- > Anti-glare finish
- > It does not contain VOC

STANDARD COMPONENTS

- > Cylinder lock with 2 keys (fixed + foldable)
- > removable cylinder
- > recessed handle
- > Height adjustable steel shelves with undershel filing
- > Shelf load capacity: 50 Kg
- > Adjustable feet H 40 mm
- > Assembly screws

COLORS

- > Available in 3 standard colors
- V1 white (RAL 9010)
- V6 aluminium (RAL 9006)
- V22 black (RAL9005)

- > standard semi-gloss colors
- > Customizable colors available upon request and with an extra charge:
- www.dieffebi.com/docs/299/2832/DFB_Colour-Chart-2020.pdf

ACCESSORIES

- > White lacquered glass top RAL 9010
- > Master key
- > Cylinder extraction key
- > Cylinder for keylock
- > Additional metal shelf
- > Handle in various colors
- > Kit softclosing
- > Hanging files for under cabinet shelves, length: 330 mm

NET WEIGHT 36,7 Kg

PACKAGING

- > volume: 0,15 m³
- > Plastic film in heat shrink
- > Cardboard corners and channel
- > Optimized for transport with CO2 reduction
- > Delivered: disassembled
- > Packages: 7

END OF USE

- > Equipped with disassembly card for disposal

WARRANTY

- > Dieffebi guarantees that the product was made using high quality materials - [See warranty document](#)

Primo Sliding Doors

MADE IN ITALY

Sliding door cabinet W 1200
W 1200 x D 450 x H 723 mm

DESIGNER Takiro Yuta

WELLNESS AND ENVIRONMENT > Green design in accordance with LEED® standards, to design and furnish environments with a high sustainability content



www.GreenTop.com



STRUCTURE TEST EN 14073-2:2004, par. 3.4
EN 14073-3:2004, par. 5.2
EN 14073-3:2004, par. 5.3.1
EN 14073-3:2004, par. 5.3.2
EN 14074:2004, par. 6.4.1
EN 14074:2004, par. 6.4.2
UNI8606:1984
EN16122:2012 + AC:2015, par. 6.1.4

FINISHING TEST UNI EN ISO 2409:2013
NSS UNI EN ISO 9227:2017
UNI EN 15187:2007 EN ISO 1520:2006
UNI EN ISO 6272-1:2013
UNI EN 15185:2011
UNI EN 15186:2012, met.B
UNI 9300:2015
EN 12720:2013
EN 12721:2013
UNI 9429:2015

FIRE REACTION CLASS > Class 0

POSITIONING > Both on the wall and in the center of the room



ADIMEMBER



Dieffebi SpA

via Palù 36
San Vendemiano,
31020 Treviso - Italia

T +39 0438 4715
F +39 0438 471600
exportsales@dieffebi.com
vendite@dieffebi.com
www.dieffebi.com

Primo Sliding Doors

Varnish Vernici Vernis Lacke

Cabinet Body
Corpo
Caisson
Korpus



-V1
S711 (RAL 9010)
Pure white



-V6
S380 (RAL 9006)
White aluminium



-V22
S811 (RAL 9005)
Jet black

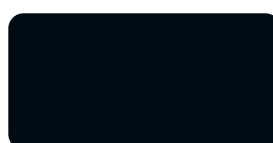
Additional metal shelf
Ripiano aggiuntivo
in metallo
Tablette supplémentaire
en métal
Zusätzlicher
Metallfachboden



-V1
S711 (RAL 9010)
Pure white



-V6
S380 (RAL 9006)
White aluminium



-V22
S811 (RAL 9005)
Jet black

Coloured handle
Maniglia colorata
Poignée couleur
Farbiger Griff



-V8
6013 (RAL 6013)
Green



-V15
1021 (RAL 1021)
Yellow



-V17
5024 (RAL 5024)
Pastel Blue



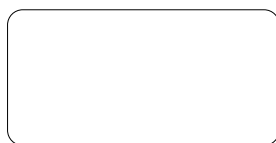
-V19
S210 (RAL 7021)
Black grey



-V24
3005 (RAL 3005)
Wine red

Glass Vetro Verre Glas

White lacquered glass top
Top di finitura in vetro
laccato bianco
Plateau en verre laqué
blanc
Glasabdeckplatte weiß
lackiert



-G1
Bianco/White/Blanc/Weiß

Primo Sliding Doors

MADE IN ITALY

Sliding door cabinet W 1600
W 1600 x D 450 x H 723 mm

Body: metal

V1 ○ white RAL 9010

art.6PSCK201Z S711

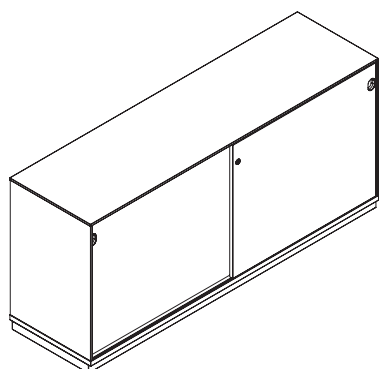
V6 ● aluminium RAL 9006

art.6PSCK201Z S380

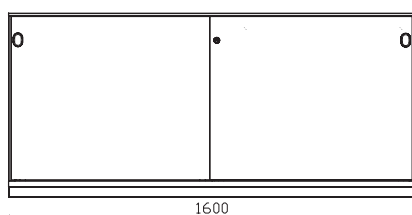
V22 ● black RAL 9005

art.6PSCK201Z S811

DESIGNER Takiro Yuta



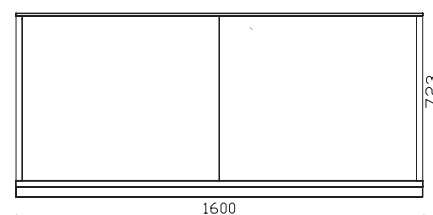
Front



Side



Back



Primo Sliding Doors

MADE IN ITALY

Sliding door cabinet W 1600

W 1600 x D 450 x H 723 mm

DESIGNER Takiro Yuta

DESCRIPTION	Sliding door cabinet
EXTERNAL DIMENSIONS	W 1600 mm x D 450 mm x H 723 mm
INTERNAL DIMENSIONS	2 x (W 763 mm x D 388 mm X H 633 mm)
BINDERS	Capacity: N°8 + 8
HANGING FILES	Capacity: 65 + 65 hanging files
PRODUCTION	<ul style="list-style-type: none"> > Dieffebi S.p.a. > Start of production: 2018 > Country of production: Italia
MAINTENANCE	<ul style="list-style-type: none"> > Clean with a soft cloth > Do not treat the surfaces with abrasive cloths
MATERIALS	> Structure and doors: in recycled and recyclable metal
FINISHING	<ul style="list-style-type: none"> > Low-emission powder coating (material inert) > Heavy metals free > Absence of sharp edges > Anti-glare finish > It does not contain VOC
STANDARD COMPONENTS	<ul style="list-style-type: none"> > Cylinder lock with 2 keys (fixed + foldable) > removable cylinder > recessed handle > Height adjustable steel shelves with undershel filing > Shelf load capacity: 50 Kg > Adjustable feet H 40 mm > Assembly screws

COLORS	<ul style="list-style-type: none"> > Available in 3 standard colors V1 white (RAL 9010) V6 aluminium (RAL 9006) V22 black (RAL9005) > standard semi-gloss colors > Customizable colors available upon request and with an extra charge: www.dieffebi.com/docs/299/2832/DFB_Colour-Chart-2020.pdf
ACCESSORIES	<ul style="list-style-type: none"> > White lacquered glass top RAL 9010 > Master key > Cylinder extraction key > Cylinder for keylock > Additional metal shelf > Handle in various colors > Kit softclosing > Hanging files for under cabinet shelves, length: 330 mm
NET WEIGHT	64,4 Kg
PACKAGING	<ul style="list-style-type: none"> > volume: 0,2 m³ > Plastic film in heat shrink > Cardboard corners and channel > Optimized for transport with CO2 reduction > Delivered: disassembled > Packages: 8
END OF USE	> Equipped with disassembly card for disposal
WARRANTY	> Dieffebi guarantees that the product was made using high quality materials - See warranty document

Primo Sliding Doors

MADE IN ITALY

Sliding door cabinet W 1600
W 1600 x D 450 x H 723 mm

DESIGNER Takiro Yuta

WELLNESS AND ENVIRONMENT > Green design in accordance with LEED® standards, to design and furnish environments with a high sustainability content



STRUCTURE TEST EN 14073-2:2004, par. 3.4
EN 14073-3:2004, par. 5.2
EN 14073-3:2004, par. 5.3.1
EN 14073-3:2004, par. 5.3.2
EN 14074:2004, par. 6.4.1
EN 14074:2004, par. 6.4.2
UNI8606:1984
EN16122:2012 + AC:2015, par. 6.1.4

FINISHING TEST UNI EN ISO 2409:2013
NSS UNI EN ISO 9227:2017
UNI EN 15187:2007 EN ISO 1520:2006
UNI EN ISO 6272-1:2013
UNI EN 15185:2011
UNI EN 15186:2012, met.B
UNI 9300:2015
EN 12720:2013
EN 12721:2013
UNI 9429:2015

FIRE REACTION CLASS > Class 0

POSITIONING > Both on the wall and in the center of the room



ADIMEMBER



Dieffebi SpA

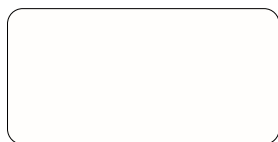
via Palù 36
San Vendemiano,
31020 Treviso - Italia

T +39 0438 4715
F +39 0438 471600
exportsales@dieffebi.com
vendite@dieffebi.com
www.dieffebi.com

Primo Sliding Doors

Varnish Vernici Vernis Lacke

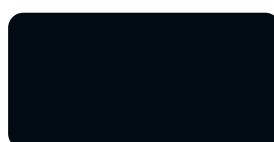
Cabinet Body
Corpo
Caisson
Korpus



-V1
S711 (RAL 9010)
Pure white

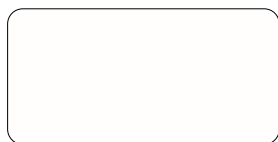


-V6
S380 (RAL 9006)
White aluminium



-V22
S811 (RAL 9005)
Jet black

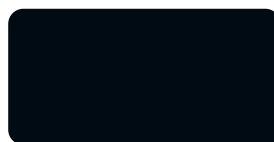
Additional metal shelf
Ripiano aggiuntivo
in metallo
Tablette supplémentaire
en métal
Zusätzlicher
Metallfachboden



-V1
S711 (RAL 9010)
Pure white



-V6
S380 (RAL 9006)
White aluminium



-V22
S811 (RAL 9005)
Jet black

Coloured handle
Maniglia colorata
Poignée couleur
Farbiger Griff



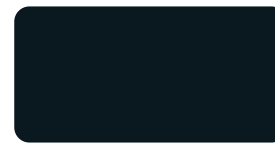
-V8
6013 (RAL 6013)
Green



-V15
1021 (RAL 1021)
Yellow



-V17
5024 (RAL 5024)
Pastel Blue



-V19
S210 (RAL 7021)
Black grey



-V24
3005 (RAL 3005)
Wine red

Glass Vetro Verre Glas

White lacquered glass top
Top di finitura in vetro
laccato bianco
Plateau en verre laqué
blanc
Glasabdeckplatte weiß
lackiert



-G1
Bianco/White/Blanc/Weiß

Primo Sliding Doors

MADE IN ITALY

Sliding door cabinet W 2000
W 2000 x D 450 x H 723 mm

Body: metal

V1 ○ white RAL 9010

art.6PSCK301Z S711

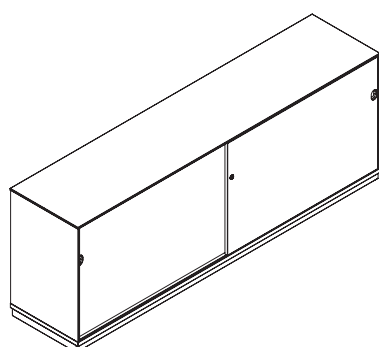
V6 ● aluminium RAL 9006

art.6PSCK301Z S380

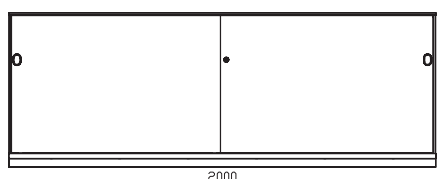
V22 ● black RAL 9005

art.6PSCK301Z S811

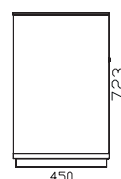
DESIGNER Takiro Yuta



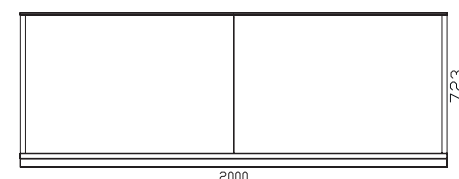
Front



Side



Back



Primo Sliding Doors

MADE IN ITALY

Sliding door cabinet W 2000
W 2000 x D 450 x H 723 mm

DESIGNER Takiro Yuta

DESCRIPTION	Sliding door cabinet
EXTERNAL DIMENSIONS	W 2000 mm x D 450 mm x H 723 mm
INTERNAL DIMENSIONS	2 x (W 963 mm x D 388 mm x H 633 mm)
BINDERS	Capacity: N° 10 + 10
HANGING FILES	Capacity: 80 + 80 hanging files
PRODUCTION	<ul style="list-style-type: none"> > Dieffebi S.p.a. > Start of production: 2018 > Country of production: Italia
MAINTENANCE	<ul style="list-style-type: none"> > Clean with a soft cloth > Do not treat the surfaces with abrasive cloths
MATERIALS	> Structure and doors: in recycled and recyclable metal
FINISHING	<ul style="list-style-type: none"> > Low-emission powder coating (material inert) > Heavy metals free > Absence of sharp edges > Anti-glare finish > It does not contain VOC
STANDARD COMPONENTS	<ul style="list-style-type: none"> > Cylinder lock with 2 keys (fixed + foldable) > removable cylinder > recessed handle > Height adjustable steel shelves with undershel filing > Shelf load capacity: 50 Kg > Adjustable feet H 40 mm > Assembly screws

COLORS	<ul style="list-style-type: none"> > Available in 3 standard colors V1 white (RAL 9010) V6 aluminium (RAL 9006) V22 black (RAL9005) > standard semi-gloss colors > Customizable colors available upon request and with an extra charge: www.dieffebi.com/docs/299/2832/DFB_Colour-Chart-2020.pdf
ACCESSORIES	<ul style="list-style-type: none"> > White lacquered glass top RAL 9010 > Master key > Cylinder extraction key > Cylinder for keylock > Additional metal shelf > Handle in various colors > Kit softclosing > Hanging files for under cabinet shelves, length: 330 mm
NET WEIGHT	66,00 Kg
PACKAGING	<ul style="list-style-type: none"> > volume: 0,22 m³ > Plastic film in heat shrink > Cardboard corners and channel > Optimized for transport with CO2 reduction > Delivered: disassembled > Packages: 8
END OF USE	> Equipped with disassembly card for disposal
WARRANTY	> Dieffebi guarantees that the product was made using high quality materials - See warranty document

Primo Sliding Doors

MADE IN ITALY

Sliding door cabinet W 2000
W 2000 x D 450 x H 723 mm

DESIGNER Takiro Yuta

WELLNESS AND ENVIRONMENT > Green design in accordance with LEED® standards, to design and furnish environments with a high sustainability content



www.GreenTop.com



STRUCTURE TEST EN 14073-2:2004, par. 3.4
EN 14073-3:2004, par. 5.2
EN 14073-3:2004, par. 5.3.1
EN 14073-3:2004, par. 5.3.2
EN 14074:2004, par. 6.4.1
EN 14074:2004, par. 6.4.2
UNI8606:1984
EN16122:2012 + AC:2015, par. 6.1.4

FINISHING TEST UNI EN ISO 2409:2013
NSS UNI EN ISO 9227:2017
UNI EN 15187:2007 EN ISO 1520:2006
UNI EN ISO 6272-1:2013
UNI EN 15185:2011
UNI EN 15186:2012, met.B
UNI 9300:2015
EN 12720:2013
EN 12721:2013
UNI 9429:2015

FIRE REACTION CLASS > Class 0

POSITIONING > Both on the wall and in the center of the room



MADE IN EUROPE



ASSUFFICIO
ASSOCIAZIONE FEDERLEGGIDARRUCCI

ADIMEMBER



consip
acquistinretepa.it

Dieffebi SpA

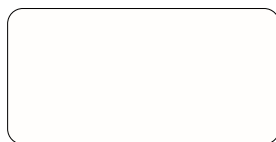
via Palù 36
San Vendemiano,
31020 Treviso - Italia

T +39 0438 4715
F +39 0438 471600
exportsales@dieffebi.com
vendite@dieffebi.com
www.dieffebi.com

Primo Sliding Doors

Varnish Vernici Vernis Lacke

Cabinet Body
Corpo
Caisson
Korpus



-V1
S711 (RAL 9010)
Pure white



-V6
S380 (RAL 9006)
White aluminium



-V22
S811 (RAL 9005)
Jet black

Additional metal shelf
Ripiano aggiuntivo
in metallo
Tablette supplémentaire
en métal
Zusätzlicher
Metallfachboden



-V1
S711 (RAL 9010)
Pure white



-V6
S380 (RAL 9006)
White aluminium



-V22
S811 (RAL 9005)
Jet black

Coloured handle
Maniglia colorata
Poignée couleur
Farbiger Griff



-V8
6013 (RAL 6013)
Green



-V15
1021 (RAL 1021)
Yellow



-V17
5024 (RAL 5024)
Pastel Blue



-V24
3005 (RAL 3005)
Wine red

Glass Vetro Verre Glas

White lacquered glass top
Top di finitura in vetro
laccato bianco
Plateau en verre laqué
blanc
Glasabdeckplatte weiß
lackiert



Primo Sliding Doors

MADE IN ITALY

Sliding door cabinet W 1200
W 1200 x D 450 x H 1171 mm

Body: metal

V1 ○ white RAL 9010

art.6PSCK104Z S711

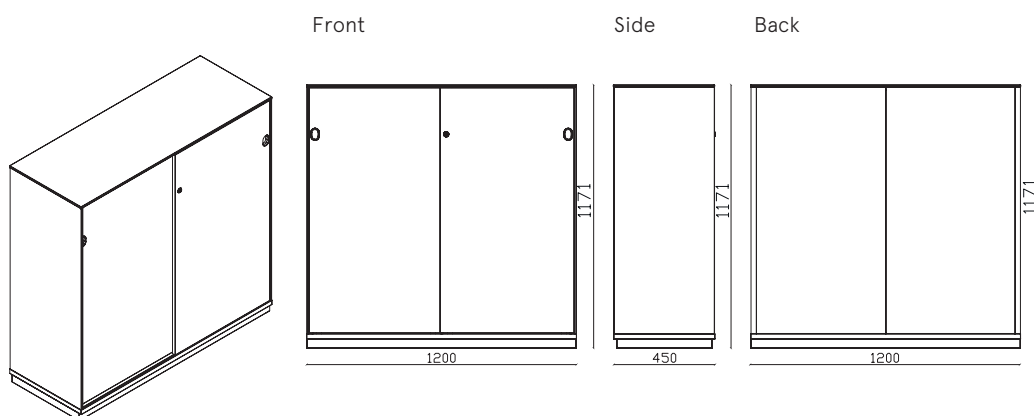
V6 ● aluminium RAL 9006

art.6PSCK104Z S380

V22 ● black RAL 9005

art.6PSCK104Z S811

DESIGNER Takiro Yuta



Primo Sliding Doors

MADE IN ITALY

Sliding door cabinet W 1200
W 1200 x D 450 x H 1171 mm

DESIGNER Takiro Yuta

DESCRIPTION	Sliding door cabinet
EXTERNAL DIMENSIONS	W 1200 mm x D 450 mm x H 1171 mm
INTERNAL DIMENSIONS	W 1146 mm x D 388 mm x H 1081 mm
BINDERS	Capacity: N° 13 (x2)
HANGING FILES	Capacity: 105 (x2) hanging files
PRODUCTION	<ul style="list-style-type: none"> > Dieffebi S.p.a. > Start of production: 2018 > Country of production: Italia
MAINTENANCE	<ul style="list-style-type: none"> > Clean with a soft cloth > Do not treat the surfaces with abrasive cloths
MATERIALS	> Structure and doors: in recycled and recyclable metal
FINISHING	<ul style="list-style-type: none"> > Low-emission powder coating (material inert) > Heavy metals free > Absence of sharp edges > Anti-glare finish > It does not contain VOC
STANDARD COMPONENTS	<ul style="list-style-type: none"> > Cylinder lock with 2 keys (fixed + foldable) > removable cylinder > recessed handle > Height adjustable steel shelves with undershel filing > Shelf load capacity: 50 Kg > Adjustable feet H 40 mm > Assembly screws

COLORS	<ul style="list-style-type: none"> > Available in 3 standard colors V1 white (RAL 9010) V6 aluminium (RAL 9006) V22 black (RAL9005) > standard semi-gloss colors > Customizable colors available upon request and with an extra charge: www.dieffebi.com/docs/299/2832/DFB_Colour-Chart-2020.pdf
ACCESSORIES	<ul style="list-style-type: none"> > White lacquered glass top RAL 9010 > Master key > Cylinder extraction key > Cylinder for keylock > Additional metal shelf > Handle in various colors > Kit softclosing > Hanging files for under cabinet shelves, length: 330 mm
NET WEIGHT	55,60 Kg
PACKAGING	<ul style="list-style-type: none"> > volume: 0,2 m³ > Plastic film in heat shrink > Cardboard corners and channel > Optimized for transport with CO2 reduction > Delivered: disassembled > Packages: 7
END OF USE	> Equipped with disassembly card for disposal
WARRANTY	> Dieffebi guarantees that the product was made using high quality materials - See warranty document

Primo Sliding Doors

MADE IN ITALY

Sliding door cabinet W 1200
W 1200 x D 450 x H 1171 mm

DESIGNER Takiro Yuta

WELLNESS AND ENVIRONMENT > Green design in accordance with LEED® standards, to design and furnish environments with a high sustainability content



STRUCTURE TEST EN 14073-2:2004, par. 3.4
EN 14073-3:2004, par. 5.2
EN 14073-3:2004, par. 5.3.1
EN 14073-3:2004, par. 5.3.2
EN 14074:2004, par. 6.4.1
EN 14074:2004, par. 6.4.2
UNI8606:1984
EN16122:2012 + AC:2015, par. 6.1.4

FINISHING TEST UNI EN ISO 2409:2013
NSS UNI EN ISO 9227:2017
UNI EN 15187:2007 EN ISO 1520:2006
UNI EN ISO 6272-1:2013
UNI EN 15185:2011
UNI EN 15186:2012, met.B
UNI 9300:2015
EN 12720:2013
EN 12721:2013
UNI 9429:2015

FIRE REACTION CLASS > Class 0

POSITIONING > Both on the wall and in the center of the room



ADIMEMBER



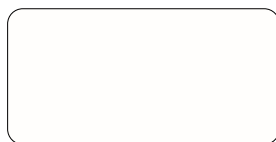
Dieffebi SpA

T +39 0438 4715
F +39 0438 471600
exportsales@dieffebi.com
vendite@dieffebi.com
www.dieffebi.com

Primo Sliding Doors

Varnish Vernici Vernis Lacke

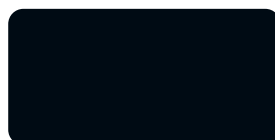
Cabinet Body
Corpo
Caisson
Korpus



-V1
S711 (RAL 9010)
Pure white



-V6
S380 (RAL 9006)
White aluminium



-V22
S811 (RAL 9005)
Jet black

Additional metal shelf
Ripiano aggiuntivo
in metallo
Tablette supplémentaire
en métal
Zusätzlicher
Metallfachboden



-V1
S711 (RAL 9010)
Pure white



-V6
S380 (RAL 9006)
White aluminium



-V22
S811 (RAL 9005)
Jet black

Coloured handle
Maniglia colorata
Poignée couleur
Farbiger Griff



-V8
6013 (RAL 6013)
Green



-V15
1021 (RAL 1021)
Yellow



-V17
5024 (RAL 5024)
Pastel Blue



-V24
3005 (RAL 3005)
Wine red

Glass Vetro Verre Glas

White lacquered glass top
Top di finitura in vetro
laccato bianco
Plateau en verre laqué
blanc
Glasabdeckplatte weiß
lackiert



Primo Sliding Doors

MADE IN ITALY

Sliding door cabinet W 1600
W 1600 x D 450 x H 1171 mm

Body: metal

V1 ○ white RAL 9010

art.6PSCK204Z S711

V6 ● aluminium RAL 9006

art.6PSCK204Z S380

V22 ● black RAL 9005

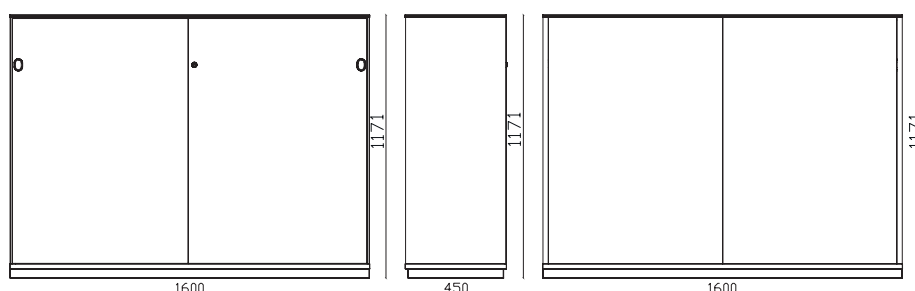
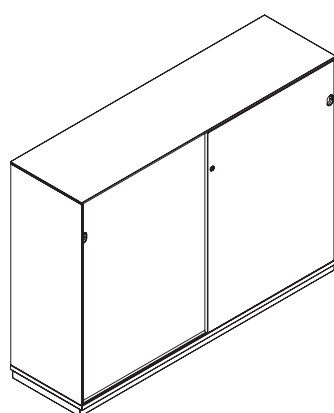
art.6PSCK204Z S811

DESIGNER Takiro Yuta

Front

Side

Back



Primo Sliding Doors

MADE IN ITALY

Sliding door cabinet W 1600

W 1600 x D 450 x H 1171 mm

DESIGNER Takiro Yuta

DESCRIPTION	Sliding door cabinet
EXTERNAL DIMENSIONS	W 1600 mm x D 450 mm x H 1171 mm
INTERNAL DIMENSIONS	2 x (W 763 mm x D 388 mm x H 1081 mm)
BINDERS	Capacity: N° 8 (x4)
HANGING FILES	Capacity: 65 (x4) hanging files
PRODUCTION	<ul style="list-style-type: none"> > Dieffebi S.p.a. > Start of production: 2018 > Country of production: Italia
MAINTENANCE	<ul style="list-style-type: none"> > Clean with a soft cloth > Do not treat the surfaces with abrasive cloths
MATERIALS	> Structure and doors: in recycled and recyclable metal
FINISHING	<ul style="list-style-type: none"> > Low-emission powder coating (material inert) > Heavy metals free > Absence of sharp edges > Anti-glare finish > It does not contain VOC
STANDARD COMPONENTS	<ul style="list-style-type: none"> > Cylinder lock with 2 keys (fixed + foldable) > removable cylinder > recessed handle > Height adjustable steel shelves with undershel filing > Shelf load capacity: 50 Kg > Adjustable feet H 40 mm > Assembly screws

COLORS	<ul style="list-style-type: none"> > Available in 3 standard colors V1 white (RAL 9010) V6 aluminium (RAL 9006) V22 black (RAL9005) > standard semi-gloss colors > Customizable colors available upon request and with an extra charge: www.dieffebi.com/docs/299/2832/DFB_Colour-Chart-2020.pdf
ACCESSORIES	<ul style="list-style-type: none"> > White lacquered glass top RAL 9010 > Master key > Cylinder extraction key > Cylinder for keylock > Additional metal shelf > Handle in various colors > Kit softclosing > Hanging files for under cabinet shelves, length: 330 mm
NET WEIGHT	91,50 Kg
PACKAGING	<ul style="list-style-type: none"> > volume: 0,27 m³ > Plastic film in heat shrink > Cardboard corners and channel > Optimized for transport with CO2 reduction > Delivered: disassembled > Packages: 8
END OF USE	> Equipped with disassembly card for disposal
WARRANTY	> Dieffebi guarantees that the product was made using high quality materials - See warranty document

Primo Sliding Doors

MADE IN ITALY

Sliding door cabinet W 1600
W 1600 x D 450 x H 1171 mm

DESIGNER Takiro Yuta

WELLNESS AND ENVIRONMENT > Green design in accordance with LEED® standards, to design and furnish environments with a high sustainability content



STRUCTURE TEST EN 14073-2:2004, par. 3.4
EN 14073-3:2004, par. 5.2
EN 14073-3:2004, par. 5.3.1
EN 14073-3:2004, par. 5.3.2
EN 14074:2004, par. 6.4.1
EN 14074:2004, par. 6.4.2
UNI8606:1984
EN16122:2012 + AC:2015, par. 6.1.4

FINISHING TEST UNI EN ISO 2409:2013
NSS UNI EN ISO 9227:2017
UNI EN 15187:2007 EN ISO 1520:2006
UNI EN ISO 6272-1:2013
UNI EN 15185:2011
UNI EN 15186:2012, met.B
UNI 9300:2015
EN 12720:2013
EN 12721:2013
UNI 9429:2015

FIRE REACTION CLASS > Class 0

POSITIONING > Both on the wall and in the center of the room



ADIMEMBER



acquistinretepa.it

Primo Sliding Doors

Varnish Vernici Vernis Lacke

Cabinet Body
Corpo
Caisson
Korpus



-V1
S711 (RAL 9010)
Pure white



-V6
S380 (RAL 9006)
White aluminium



-V22
S811 (RAL 9005)
Jet black

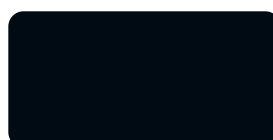
Additional metal shelf
Ripiano aggiuntivo
in metallo
Tablette supplémentaire
en métal
Zusätzlicher
Metallfachboden



-V1
S711 (RAL 9010)
Pure white



-V6
S380 (RAL 9006)
White aluminium



-V22
S811 (RAL 9005)
Jet black

Coloured handle
Maniglia colorata
Poignée couleur
Farbiger Griff



-V8
6013 (RAL 6013)
Green



-V15
1021 (RAL 1021)
Yellow



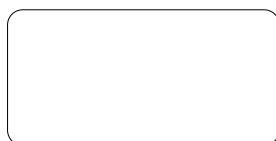
-V17
5024 (RAL 5024)
Pastel Blue



-V24
3005 (RAL 3005)
Wine red

Glass Vetro Verre Glas

White lacquered glass top
Top di finitura in vetro
laccato bianco
Plateau en verre laqué
blanc
Glasabdeckplatte weiß
lackiert



Primo Sliding Doors

MADE IN ITALY

Sliding door cabinet W 2000
W 2000 x D 450 x H 1171 mm

Body: metal

V1 ○ white RAL 9010

art.6PSCK304Z S711

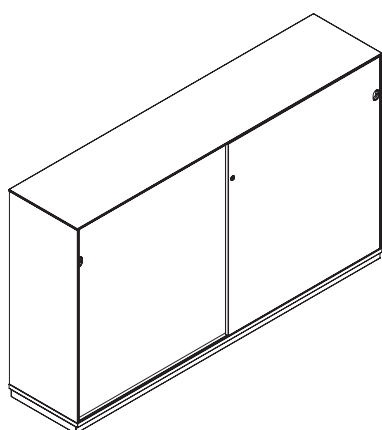
V6 ● aluminium RAL 9006

art.6PSCK304Z S380

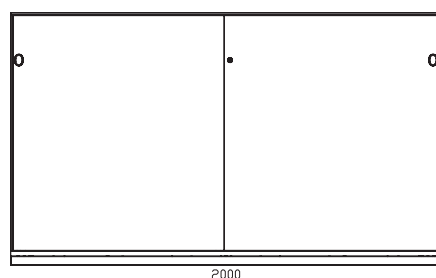
V22 ● black RAL 9005

art.6PSCK304Z S811

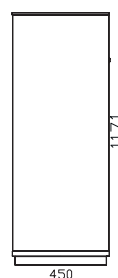
DESIGNER Takiro Yuta



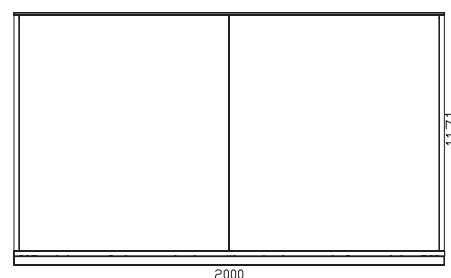
Front



Side



Back



Primo Sliding Doors

MADE IN ITALY

Sliding door cabinet W 2000
W 2000 x D 450 x H 1171 mm

DESIGNER Takiro Yuta

DESCRIPTION	Sliding door cabinet	COLORS	<ul style="list-style-type: none"> > Available in 3 standard colors V1 white (RAL 9010) V6 aluminium (RAL 9006) V22 black (RAL9005) > standard semi-gloss colors > Customizable colors available upon request and with an extra charge: www.dieffebi.com/docs/299/2832/DFB_Colour-Chart-2020.pdf
EXTERNAL DIMENSIONS	W 2000 mm x D 450 mm x H 1171 mm	ACCESSORIES	<ul style="list-style-type: none"> > White lacquered glass top RAL 9010 > Master key > Cylinder extraction key > Cylinder for keylock > Additional metal shelf > Handle in various colors > Kit softclosing > Hanging files for under cabinet shelves, length: 330 mm
INTERNAL DIMENSIONS	2 x (W 963 mm x D 388 mm x H 1081 mm)	NET WEIGHT	99,70 Kg
BINDERS	Capacity: N° 10 (x4)	PACKAGING	<ul style="list-style-type: none"> > volume: 0,33 m³ > Plastic film in heat shrink > Cardboard corners and channel > Optimized for transport with CO2 reduction > Delivered: disassembled > Packages: 8
HANGING FILES	Capacity: 80 (x4) hanging files	END OF USE	> Equipped with disassembly card for disposal
PRODUCTION	<ul style="list-style-type: none"> > Dieffebi S.p.a. > Start of production: 2018 > Country of production: Italia 	WARRANTY	> Dieffebi guarantees that the product was made using high quality materials - See warranty document
MAINTENANCE	<ul style="list-style-type: none"> > Clean with a soft cloth > Do not treat the surfaces with abrasive cloths 		
MATERIALS	> Structure and doors: in recycled and recyclable metal		
FINISHING	<ul style="list-style-type: none"> > Low-emission powder coating (material inert) > Heavy metals free > Absence of sharp edges > Anti-glare finish > It does not contain VOC 		
STANDARD COMPONENTS	<ul style="list-style-type: none"> > Cylinder lock with 2 keys (fixed + foldable) > removable cylinder > recessed handle > Height adjustable steel shelves with undershel filing > Shelf load capacity: 50 Kg > Adjustable feet H 40 mm > Assembly screws 		

Primo Sliding Doors

MADE IN ITALY

Sliding door cabinet W 2000
W 2000 x D 450 x H 1171 mm

DESIGNER Takiro Yuta

WELLNESS AND ENVIRONMENT > Green design in accordance with LEED® standards, to design and furnish environments with a high sustainability content



STRUCTURE TEST EN 14073-2:2004, par. 3.4
EN 14073-3:2004, par. 5.2
EN 14073-3:2004, par. 5.3.1
EN 14073-3:2004, par. 5.3.2
EN 14074:2004, par. 6.4.1
EN 14074:2004, par. 6.4.2
UNI8606:1984
EN16122:2012 + AC:2015, par. 6.1.4

FINISHING TEST UNI EN ISO 2409:2013
NSS UNI EN ISO 9227:2017
UNI EN 15187:2007 EN ISO 1520:2006
UNI EN ISO 6272-1:2013
UNI EN 15185:2011
UNI EN 15186:2012, met.B
UNI 9300:2015
EN 12720:2013
EN 12721:2013
UNI 9429:2015

FIRE REACTION > Class 0

CLASS

POSITIONING > Both on the wall and in the center of the room



ADIMEMBER



Dieffebi SpA

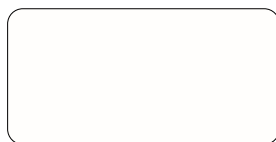
via Palù 36
San Vendemiano,
31020 Treviso - Italia

T +39 0438 4715
F +39 0438 471600
exportsales@dieffebi.com
vendite@dieffebi.com
www.dieffebi.com

Primo Sliding Doors

Varnish Vernici Vernis Lacke

Cabinet Body
Corpo
Caisson
Korpus



-V1
S711 (RAL 9010)
Pure white



-V6
S380 (RAL 9006)
White aluminium



-V22
S811 (RAL 9005)
Jet black

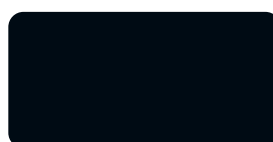
Additional metal shelf
Ripiano aggiuntivo
in metallo
Tablette supplémentaire
en métal
Zusätzlicher
Metallfachboden



-V1
S711 (RAL 9010)
Pure white



-V6
S380 (RAL 9006)
White aluminium



-V22
S811 (RAL 9005)
Jet black

Coloured handle
Maniglia colorata
Poignée couleur
Farbiger Griff



-V8
6013 (RAL 6013)
Green



-V15
1021 (RAL 1021)
Yellow



-V17
5024 (RAL 5024)
Pastel Blue



-V24
3005 (RAL 3005)
Wine red

Glass Vetro Verre Glas

White lacquered glass top
Top di finitura in vetro
laccato bianco
Plateau en verre laqué
blanc
Glasabdeckplatte weiß
lackiert



Primo Sliding Doors

MADE IN ITALY

Sliding door cabinet W 1200
W 1200 x D 450 x H 1651 mm

Body: metal

V1 ○ white RAL 9010

art.6PSCK106Z S711

V6 ● aluminium RAL 9006

art.6PSCK106Z S380

V22 ● black RAL 9005

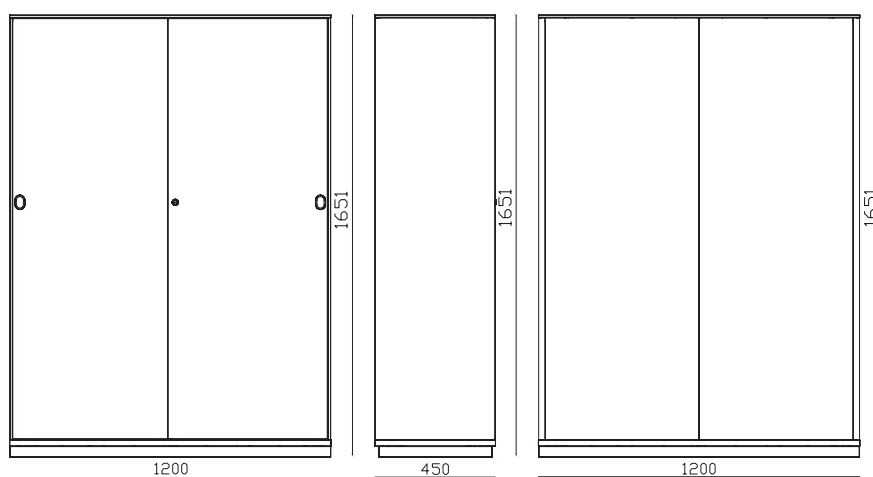
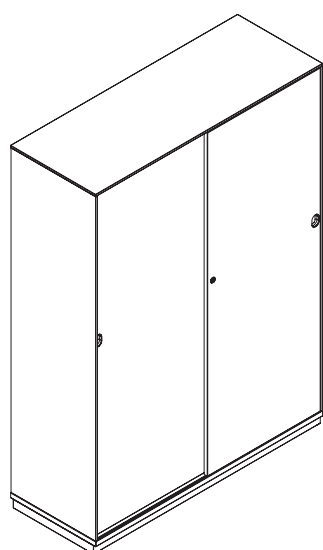
art.6PSCK106Z S811

DESIGNER Takiro Yuta

Front

Side

Back



Primo Sliding Doors

MADE IN ITALY

Sliding door cabinet W 1200
W 1200 x D 450 x H 1651 mm

DESIGNER Takiro Yuta

DESCRIPTION	Sliding door cabinet
EXTERNAL DIMENSIONS	W 1200 mm x D 450 mm x H 1651 mm
INTERNAL DIMENSIONS	W 1146 mm x D 388 mm x H 1560 mm
BINDERS	Capacity: N° 13 (x4)
HANGING FILES	Capacity: 105 (x3) hanging files
PRODUCTION	<ul style="list-style-type: none"> > Dieffebi S.p.a. > Start of production: 2018 > Country of production: Italia
MAINTENANCE	<ul style="list-style-type: none"> > Clean with a soft cloth > Do not treat the surfaces with abrasive cloths
MATERIALS	> Structure and doors: in recycled and recyclable metal
FINISHING	<ul style="list-style-type: none"> > Low-emission powder coating (material inert) > Heavy metals free > Absence of sharp edges > Anti-glare finish > It does not contain VOC
STANDARD COMPONENTS	<ul style="list-style-type: none"> > Cylinder lock with 2 keys (fixed + foldable) > removable cylinder > recessed handle > Height adjustable steel shelves with undershel filing > Shelf load capacity: 50 Kg > Adjustable feet H 40 mm > Assembly screws

COLORS	<ul style="list-style-type: none"> > Available in 3 standard colors V1 white (RAL 9010) V6 aluminium (RAL 9006) V22 black (RAL9005) > standard semi-gloss colors > Customizable colors available upon request and with an extra charge: www.dieffebi.com/docs/299/2832/DFB_Colour-Chart-2020.pdf
ACCESSORIES	<ul style="list-style-type: none"> > White lacquered glass top RAL 9010 > Master key > Cylinder extraction key > Cylinder for keylock > Additional metal shelf > Handle in various colors > Kit softclosing > Hanging files for under cabinet shelves, length: 330 mm
NET WEIGHT	77,30 Kg
PACKAGING	<ul style="list-style-type: none"> > volume: 0,23 m³ > Plastic film in heat shrink > Cardboard corners and channel > Optimized for transport with CO2 reduction > Delivered: disassembled > Packages: 8
END OF USE	> Equipped with disassembly card for disposal
WARRANTY	> Dieffebi guarantees that the product was made using high quality materials - See warranty document

Primo Sliding Doors

MADE IN ITALY

Sliding door cabinet W 1200
W 1200 x D 450 x H 1651 mm

DESIGNER Takiro Yuta

WELLNESS AND ENVIRONMENT > Green design in accordance with LEED® standards, to design and furnish environments with a high sustainability content



www.GreenITop.com



STRUCTURE TEST EN 14073-2:2004, par. 3.4
EN 14073-3:2004, par. 5.2
EN 14073-3:2004, par. 5.3.1
EN 14073-3:2004, par. 5.3.2
EN 14074:2004, par. 6.4.1
EN 14074:2004, par. 6.4.2
UNI8606:1984
EN16122:2012 + AC:2015, par. 6.1.4

FINISHING TEST UNI EN ISO 2409:2013
NSS UNI EN ISO 9227:2017
UNI EN 15187:2007 EN ISO 1520:2006
UNI EN ISO 6272-1:2013
UNI EN 15185:2011
UNI EN 15186:2012, met.B
UNI 9300:2015
EN 12720:2013
EN 12721:2013
UNI 9429:2015

FIRE REACTION CLASS > Class 0

POSITIONING > Both on the wall and in the center of the room



MADE IN EUROPE



ASSUFFICIO
ASSOCIAZIONE FEDERLEGGIDARRUCCI

ADIMEMBER



consip
acquistinretepa.it

Dieffebi SpA

via Palù 36
San Vendemiano,
31020 Treviso - Italia

T +39 0438 4715
F +39 0438 471600
exportsales@dieffebi.com
vendite@dieffebi.com
www.dieffebi.com

Primo Sliding Doors

Varnish Vernici Vernis Lacke

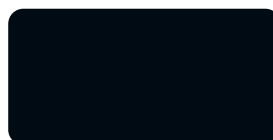
Cabinet Body
Corpo
Caisson
Korpus



-V1
S711 (RAL 9010)
Pure white

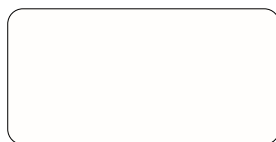


-V6
S380 (RAL 9006)
White aluminium



-V22
S811 (RAL 9005)
Jet black

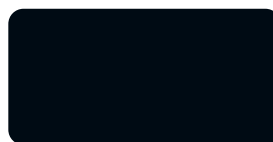
Additional metal shelf
Ripiano aggiuntivo
in metallo
Tablette supplémentaire
en métal
Zusätzlicher
Metallfachboden



-V1
S711 (RAL 9010)
Pure white



-V6
S380 (RAL 9006)
White aluminium



-V22
S811 (RAL 9005)
Jet black

Coloured handle
Maniglia colorata
Poignée couleur
Farbiger Griff



-V8
6013 (RAL 6013)
Green



-V15
1021 (RAL 1021)
Yellow



-V17
5024 (RAL 5024)
Pastel Blue



-V24
3005 (RAL 3005)
Wine red

Glass Vetro Verre Glas

White lacquered glass top
Top di finitura in vetro
laccato bianco
Plateau en verre laqué
blanc
Glasabdeckplatte weiß
lackiert



Primo Sliding Doors

MADE IN ITALY

Sliding door cabinet W 1600
W 1600 x D 450 x H 1651 mm

Body: metal

V1 ○ white RAL 9010

art.6PSCK206Z S711

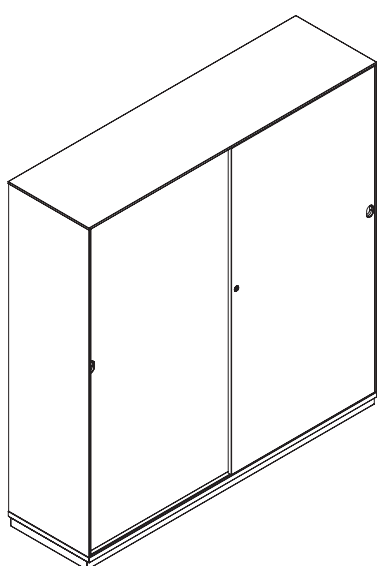
V6 ● aluminium RAL 9006

art.6PSCK206Z S380

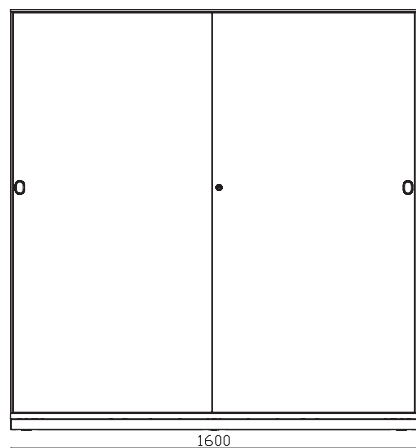
V22 ● black RAL 9005

art.6PSCK206Z S811

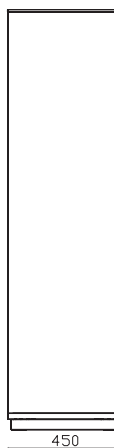
DESIGNER Takiro Yuta



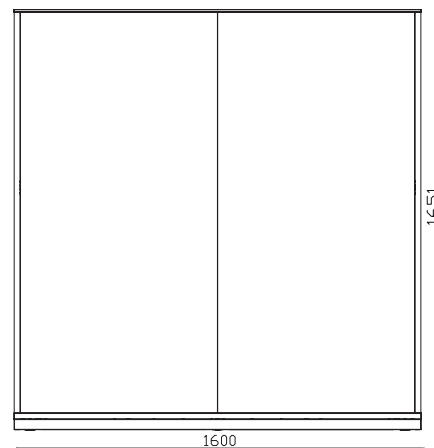
Front



Side



Back



Primo Sliding Doors

MADE IN ITALY

Sliding door cabinet W 1600
W 1600 x D 450 x H 1651 mm

DESIGNER Takiro Yuta

DESCRIPTION	Sliding door cabinet
EXTERNAL DIMENSIONS	W 1600 mm x D 450 mm x H 1651 mm
INTERNAL DIMENSIONS	2 x (W 763 mm x D 388 mm x h 1560)
BINDERS	Capacity: N° 8 (x6)
HANGING FILES	Capacity: 65 (x6) hanging files
PRODUCTION	<ul style="list-style-type: none"> > Dieffebi S.p.a. > Start of production: 2018 > Country of production: Italia
MAINTENANCE	<ul style="list-style-type: none"> > Clean with a soft cloth > Do not treat the surfaces with abrasive cloths
MATERIALS	> Structure and doors: in recycled and recyclable metal
FINISHING	<ul style="list-style-type: none"> > Low-emission powder coating (material inert) > Heavy metals free > Absence of sharp edges > Anti-glare finish > It does not contain VOC
STANDARD COMPONENTS	<ul style="list-style-type: none"> > Cylinder lock with 2 keys (fixed + foldable) > removable cylinder > recessed handle > Height adjustable steel shelves with undershel filing > Shelf load capacity: 50 Kg > Adjustable feet H 40 mm > Assembly screws

COLORS	<ul style="list-style-type: none"> > Available in 3 standard colors V1 white (RAL 9010) V6 aluminium (RAL 9006) V22 black (RAL9005) > standard semi-gloss colors > Customizable colors available upon request and with an extra charge: www.dieffebi.com/docs/299/2832/DFB_Colour-Chart-2020.pdf
ACCESSORIES	<ul style="list-style-type: none"> > White lacquered glass top RAL 9010 > Master key > Cylinder extraction key > Cylinder for keylock > Additional metal shelf > Handle in various colors > Kit softclosing > Hanging files for under cabinet shelves, length: 330 mm
NET WEIGHT	107,70 Kg
PACKAGING	<ul style="list-style-type: none"> > volume: 0,38 m³ > Plastic film in heat shrink > Cardboard corners and channel > Optimized for transport with CO2 reduction > Delivered: disassembled > Packages: 9 > Equipped with disassembly card for disposal
END OF USE	disposal
WARRANTY	> Dieffebi guarantees that the product was made using high quality materials - See warranty document

Primo Sliding Doors

MADE IN ITALY

Sliding door cabinet W 1600
W 1600 x D 450 x H 1651 mm

DESIGNER Takiro Yuta

WELLNESS AND ENVIRONMENT > Green design in accordance with LEED® standards, to design and furnish environments with a high sustainability content



STRUCTURE TEST EN 14073-2:2004, par. 3.4
EN 14073-3:2004, par. 5.2
EN 14073-3:2004, par. 5.3.1
EN 14073-3:2004, par. 5.3.2
EN 14074:2004, par. 6.4.1
EN 14074:2004, par. 6.4.2
UNI8606:1984
EN16122:2012 + AC:2015, par. 6.1.4

FINISHING TEST UNI EN ISO 2409:2013
NSS UNI EN ISO 9227:2017
UNI EN 15187:2007 EN ISO 1520:2006
UNI EN ISO 6272-1:2013
UNI EN 15185:2011
UNI EN 15186:2012, met.B
UNI 9300:2015
EN 12720:2013
EN 12721:2013
UNI 9429:2015

FIRE REACTION CLASS > Class 0

POSITIONING > Both on the wall and in the center of the room



ADIMEMBER



acquistinretepa.it
Il Portale degli Appalti della Pubblica Amministrazione

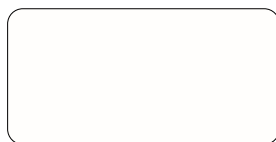
Dieffebi SpA

T +39 0438 4715
F +39 0438 471600
exportsales@dieffebi.com
vendite@dieffebi.com
www.dieffebi.com

Primo Sliding Doors

Varnish Vernici Vernis Lacke

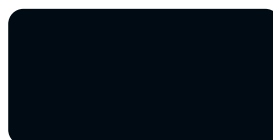
Cabinet Body
Corpo
Caisson
Korpus



-V1
S711 (RAL 9010)
Pure white



-V6
S380 (RAL 9006)
White aluminium



-V22
S811 (RAL 9005)
Jet black

Additional metal shelf
Ripiano aggiuntivo
in metallo
Tablette supplémentaire
en métal
Zusätzlicher
Metallfachboden



-V1
S711 (RAL 9010)
Pure white



-V6
S380 (RAL 9006)
White aluminium



-V22
S811 (RAL 9005)
Jet black

Coloured handle
Maniglia colorata
Poignée couleur
Farbiger Griff



-V8
6013 (RAL 6013)
Green



-V15
1021 (RAL 1021)
Yellow



-V17
5024 (RAL 5024)
Pastel Blue



-V24
3005 (RAL 3005)
Wine red

Glass Vetro Verre Glas

White lacquered glass top
Top di finitura in vetro
laccato bianco
Plateau en verre laqué
blanc
Glasabdeckplatte weiß
lackiert




Primo Sliding Doors


MADE IN ITALY

Sliding door cabinet W 1200
W 1200 x D 450 x H 2003 mm


Body: metal

V1  white RAL 9010

art.6PSCK107Z S711

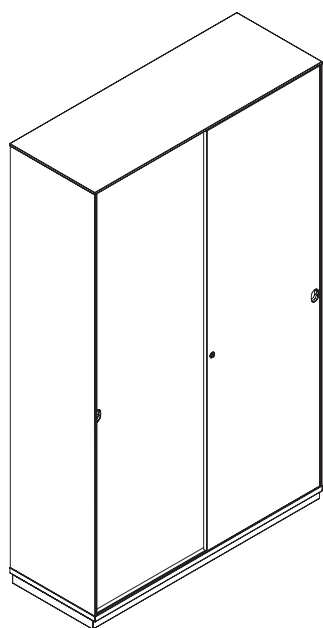
V6  aluminium RAL 9006

art.6PSCK107Z S380

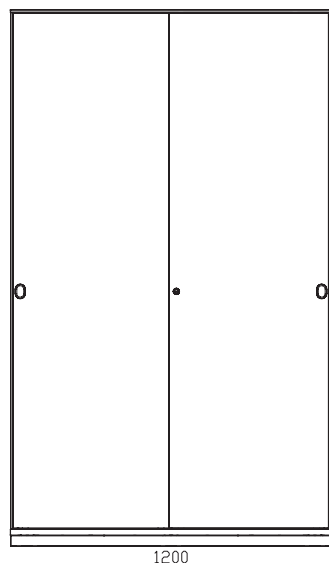
V22  black RAL 9005

art.6PSCK107Z S811

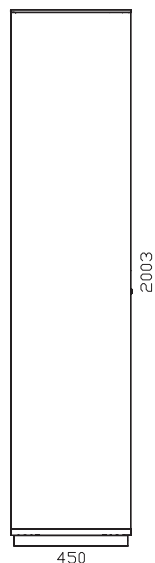
DESIGNER Takiro Yuta



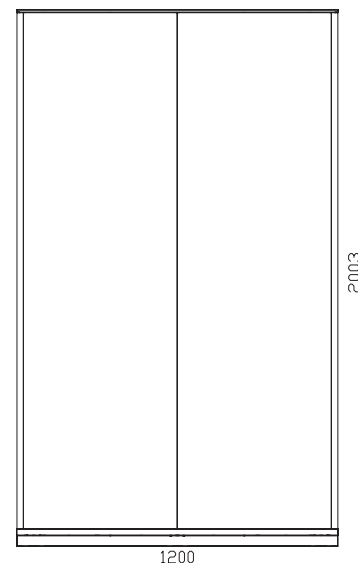
Front



Side



Back



Primo Sliding Doors

MADE IN ITALY

Sliding door cabinet W 1200

W 1200 x D 450 x H 2003 mm

DESIGNER Takiro Yuta

DESCRIPTION	Sliding door cabinet
EXTERNAL DIMENSIONS	W 1200 mm x D 450 mm x H 2003 mm
INTERNAL DIMENSIONS	W 1146 mm x D 388 mm x H 1913 mm
BINDERS	Capacity: N° 13 (x5)
HANGING FILES	Capacity: 105 (x4) hanging files
PRODUCTION	<ul style="list-style-type: none"> > Dieffebi S.p.a. > Start of production: 2018 > Country of production: Italia
MAINTENANCE	<ul style="list-style-type: none"> > Clean with a soft cloth > Do not treat the surfaces with abrasive cloths
MATERIALS	> Structure and doors: in recycled and recyclable metal
FINISHING	<ul style="list-style-type: none"> > Low-emission powder coating (material inert) > Heavy metals free > Absence of sharp edges > Anti-glare finish > It does not contain VOC
STANDARD COMPONENTS	<ul style="list-style-type: none"> > Cylinder lock with 2 keys (fixed + foldable) > removable cylinder > recessed handle > Height adjustable steel shelves with undershel filing > Shelf load capacity: 50 Kg > Adjustable feet H 40 mm > Assembly screws

COLORS	<ul style="list-style-type: none"> > Available in 3 standard colors V1 white (RAL 9010) V6 aluminium (RAL 9006) V22 black (RAL9005) > standard semi-gloss colors > Customizable colors available upon request and with an extra charge: www.dieffebi.com/docs/299/2832/DFB_Colour-Chart-2020.pdf
ACCESSORIES	<ul style="list-style-type: none"> > Master key > Cylinder extraction key > Cylinder for keylock > Additional metal shelf > Handle in various colors > Kit softclosing > Hanging files for under cabinet shelves, length: 330 mm
NET WEIGHT	89,00 Kg
PACKAGING	<ul style="list-style-type: none"> > volume: 0,31 m³ > Plastic film in heat shrink > Cardboard corners and channel > Optimized for transport with CO2 reduction > Delivered: disassembled > Packages: 9
END OF USE	> Equipped with disassembly card for disposal
WARRANTY	> Dieffebi guarantees that the product was made using high quality materials - See warranty document

Primo Sliding Doors

MADE IN ITALY

Sliding door cabinet W 1200
W 1200 x D 450 x H 2003 mm

DESIGNER Takiro Yuta

WELLNESS AND ENVIRONMENT > Green design in accordance with LEED® standards, to design and furnish environments with a high sustainability content



www.GreenTop.com



STRUCTURE TEST EN 14073-2:2004, par. 3.4
EN 14073-3:2004, par. 5.2
EN 14073-3:2004, par. 5.3.1
EN 14073-3:2004, par. 5.3.2
EN 14074:2004, par. 6.4.1
EN 14074:2004, par. 6.4.2
UNI8606:1984
EN16122:2012 + AC:2015, par. 6.1.4

FINISHING TEST UNI EN ISO 2409:2013
NSS UNI EN ISO 9227:2017
UNI EN 15187:2007 EN ISO 1520:2006
UNI EN ISO 6272-1:2013
UNI EN 15185:2011
UNI EN 15186:2012, met.B
UNI 9300:2015
EN 12720:2013
EN 12721:2013
UNI 9429:2015

FIRE REACTION CLASS > Class 0

POSITIONING > Both on the wall and in the center of the room



MADE IN EUROPE



ASSUFFICIO
ASSOCIAZIONE FIDELIENEGARRECO

ADIMEMBER



consip
acquistinretepa.it

Dieffebi SpA

via Palù 36
San Vendemiano,
31020 Treviso - Italia

T +39 0438 4715
F +39 0438 471600
exportsales@dieffebi.com
vendite@dieffebi.com
www.dieffebi.com

Primo Sliding Doors

Varnish Vernici Vernis Lacke

Cabinet Body
Corpo
Caisson
Korpus



-V1
S711 (RAL 9010)
Pure white



-V6
S380 (RAL 9006)
White aluminium



-V22
S811 (RAL 9005)
Jet black

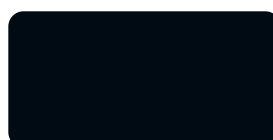
Additional metal shelf
Ripiano aggiuntivo
in metallo
Tablette supplémentaire
en métal
Zusätzlicher
Metallfachboden



-V1
S711 (RAL 9010)
Pure white



-V6
S380 (RAL 9006)
White aluminium



-V22
S811 (RAL 9005)
Jet black

Coloured handle
Maniglia colorata
Poignée couleur
Farbiger Griff



-V8
6013 (RAL 6013)
Green



-V15
1021 (RAL 1021)
Yellow



-V17
5024 (RAL 5024)
Pastel Blue



-V24
3005 (RAL 3005)
Wine red