

Primo Laterals 800

MADE IN ITALY

Storage cabinet

Unit with 2 drawers + 1 filing drawer
W 800 x D 450 x H 723 mm

Body: metal

V1 ○ white RAL 9010

art.6PRM0801P S711

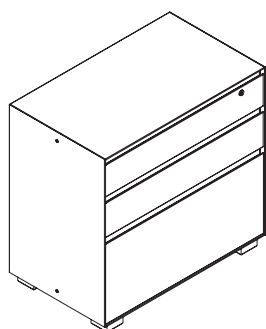
V6 ● aluminium RAL 9006

art.6PRM0801P S380

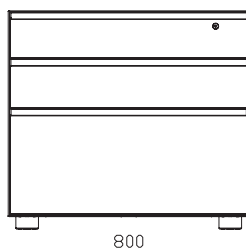
V22 ● black RAL 9005

art.6PRM0801P S811

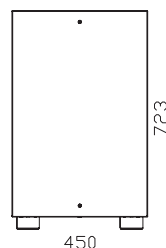
DESIGNER Takiro Yuta



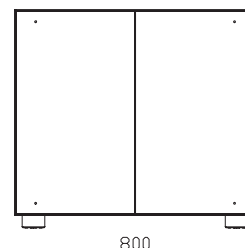
Front



Side



Back



Primo Laterals 800

MADE IN ITALY

Storage cabinet

Unit with 2 drawers + 1 filing drawer

W 800 x D 450 x H 723 mm

DESIGNER Takiro Yuta

DESCRIPTION	Storage cabinet Unit with 2 drawers + 1 filing drawer	COLORS	> Available in 3 standard colors: V1 white (RAL 9010) V6 aluminium (RAL 9006) V22 black (RAL9005) > Standard semi-gloss colors > Customizable colors available upon request and with an extra charge: www.dieffebi.com/docs/299/2832/DFB_Colour-Chart-2020.pdf
EXTERNAL DIMENSIONS	W 800 mm x D 450 mm x H 723 mm	ACCESSORIES	> White lacquered glass top RAL 9010 > Plinth H40mm (only for feet H40mm) > Set of 4 feet H 20mm > Set of 4 feet H 60 mm > Set of 3 metal seapartors W 220 mm > Set of 3 metal seapartors W 380 mm > Hanging files, length: 330 mm > Hanging files, length: 390 mm > Cylinder extraction key > Cylinder for keylock > Metal separator for hanging file 330 mm > Name holder > Counterweight
INTERNAL DIMENSIONS	> Drawer compartment: W 720 mm x D 400mm x H 70 mm > Filing drawer compartment: W 690 mm x D 390 mm x H 260 mm	NET WEIGHT	42,20 Kg
BINDERS	Capacity: N° 8	MAINTENANCE	> Clean with a soft cloth > Do not treat the surfaces with abrasive cloths
HANGING FILES	Capacity: 58 folders of 390 mm (only for filing cabinet)	PACKAGING	> volume: 0,41 m ³ > In cardboard with edges protected with polystyrene, on single wooden pallet > Optimized for transport with CO2 reduction > Supplied: assembled > No. of packages: 1
PRODUCTION	> Dieffebi S.p.a. > Start of production: 2018 > Country of production: Italy	END OF USE	> Equipped with disassembly card for disposal
MATERIALS	> recycled and recyclable metal	WARRANTY	> Dieffebi guarantees that the product was made using high quality materials - See warranty document
FINISHING	> Low-emission powder coating (material inert) > Heavy metals free > Absence of sharp edges > Anti-glare finish > It does not contain VOCs		
STANDARD COMPONENTS	> Recycled metal drawers with fully extractable telescopic runner > Recycled metal filing cabinet with guide telescopic with full extension > Soft closing amortized return (only for filing cabinet) > Centralized key lock for all drawers > Nr. 2 converters L = 390 for 330 mm suspended folders > Internally adjustable feet H 40mm > Primo series module joining screws > Drilling template for joining modules		

Primo Laterals 800

MADE IN ITALY

Storage cabinet

Unit with 2 drawers + 1 filing drawer

W 800 x D 450 x H 723 mm

DESIGNER Takiro Yuta

WELLNESS AND ENVIRONMENT

> Green design in accordance with LEED® standards, to design and furnish environments with a high sustainability content



www.GreenTop.com



FINISHING TEST

UNI EN ISO 2409:2013
 NSS UNI EN ISO 9227:2017
 UNI EN 15187:2007EN ISO 1520:2006
 UNI EN ISO 6272-1:2013
 UNI EN 15185:2011
 UNI EN 15186:2012, met.B
 UNI 9300:2015
 EN 12720:2013
 EN 12721:2013
 UNI 9429:2015

CLASS OF

> Class 0

REACTION TO FIRE



ADIMEMBER



Primo Laterals 800

Varnish Vernici Vernis Lacke

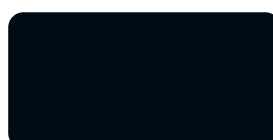
Cabinet Body
Corpo
Caisson
Korpus



-V1
S711 (RAL 9010)
Pure white



-V6
S380 (RAL 9006)
White aluminium



-V22
S811 (RAL 9005)
Jet black

Plinth
Zoccolo
Socle
Sockel



-V1
S210 (RAL 7021)
Black grey

Set of 3 metal separators
Set 3 divisori in metallo
Jeu 3 diviseurs en métal
Satz 3 Trennelemente aus
Metall



-V22
S811 (RAL 9005)
Jet black

Metal separator for hanging
fiel 330 mm
Convertitore lungo per
cartelle da 330 mm
Conertisseur pour dossiers
330 mm
Querstange für Hängemappen
330 mm



-V6
S380 (RAL 9006)
White aluminium

Glass Vetro Verre Glas

White lacquered glass top
Top di finitura in vetro
laccato bianco
Plateau en verre laqué
blanc
Glasabdeckplatte weiß
lackiert



-G1
Bianco/White/Blanc/Weiß

Primo Laterals 800

MADE IN ITALY

Storage cabinet

Unit with 2 filing drawers
W 800 x D 450 x H 723 mm

Body: metal

V1 ○ white RAL 9010

art.6PRM0802P S711

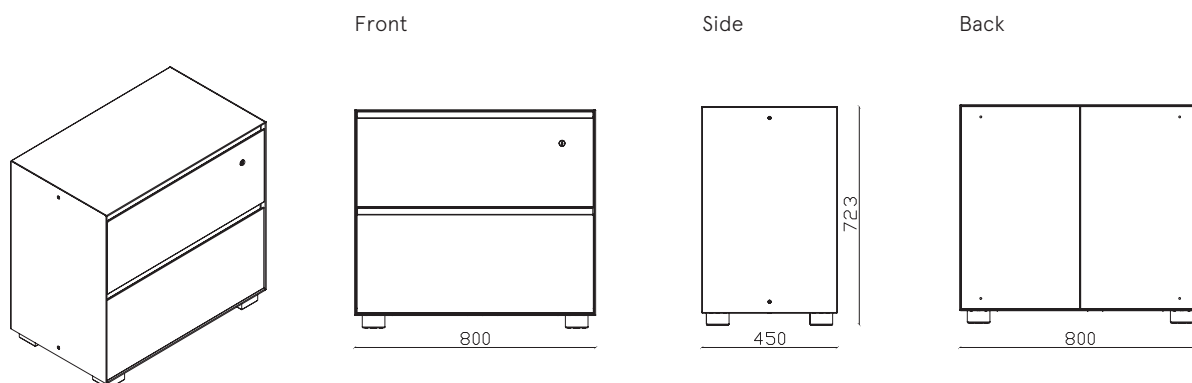
V6 ● aluminium RAL 9006

art.6PRM0802P S380

V22 ● black RAL 9005

art.6PRM0802P S811

DESIGNER Takiro Yuta



Primo Laterals 800

MADE IN ITALY

Storage cabinet

Unit with 2 filing drawers

W 800 x D 450 x H 723 mm

DESIGNER Takiro Yuta

DESCRIPTION	Storage cabinet - unit with 3 filing drawers
EXTERNAL DIMENSIONS	W 800 mm x D 450 mm x H 723 mm
INTERNAL DIMENSIONS	W 690 mm x D 390 mm x H 260 mm
BINDERS	Capacity: N° 8 (x2)
HANGING FILES	Capacity: 58 (x2) 390 mm hanging files
PRODUCTION	<ul style="list-style-type: none"> > Dieffebi S.p.a. > Start of production: 2018 > Country of production: Italy
MATERIALS	> recycled and recyclable metal
FINISHING	<ul style="list-style-type: none"> > Low-emission powder coating (material inert) > Heavy metals free > Absence of sharp edges > Anti-glare finish > It does not contain VOCs
STANDARD COMPONENTS	<ul style="list-style-type: none"> > Recycled metal filing cabinet with guide telescopic with full extension > Soft closing amortized return (only for filing cabinet) > Centralized key lock for all filing cabinets > Nr. 4 converters L = 390 for 330 mm suspended folders > Internally adjustable feet H 40mm > Primo series module joining screws > Drilling template for joining modules

COLORS	<ul style="list-style-type: none"> > Available in 3 standard colors: V1 white (RAL 9010) V6 aluminium (RAL 9006) V22 black (RAL9005) > Standard semi-gloss colors > Customizable colors available upon request and with an extra charge: www.dieffebi.com/docs/299/2832/DFB_Colour-Chart-2020.pdf
---------------	---

ACCESSORIES	<ul style="list-style-type: none"> > White lacquered glass top RAL 9010 > Plinth H40mm (only for feet H40mm) > Set of 4 feet H 20mm > Set of 4 feet H 60 mm > Hanging files, length: 330 mm > Hanging files, length: 390 mm > Cylinder extraction key > Cylinder for keylock > Metal separator for hanging file 330 mm > Name holder > Counterweight
--------------------	--

NET WEIGHT	38,40 Kg
-------------------	----------

MAINTENANCE	<ul style="list-style-type: none"> > Clean with a soft cloth > Do not treat the surfaces with abrasive cloths
--------------------	---

PACKAGING	<ul style="list-style-type: none"> > volume: 0,41 m³ > In cardboard with edges protected with polystyrene, on single wooden pallet > Optimized for transport with CO2 reduction > Supplied: assembled > No. of packages: 1
------------------	---

END OF USE	> Equipped with disassembly card for disposal
-------------------	---

WARRANTY	> Dieffebi guarantees that the product was made using high quality materials - See warranty document
-----------------	--

Primo Laterals 800

MADE IN ITALY

Storage cabinet

Unit with 2 filing drawers

W 800 x D 450 x H 723 mm

DESIGNER Takiro Yuta

WELLNESS AND ENVIRONMENT

> Green design in accordance with LEED® standards, to design and furnish environments with a high sustainability content



FINISHING TEST

UNI EN ISO 2409:2013
 NSS UNI EN ISO 9227:2017
 UNI EN 15187:2007EN ISO 1520:2006
 UNI EN ISO 6272-1:2013
 UNI EN 15185:2011
 UNI EN 15186:2012, met.B
 UNI 9300:2015
 EN 12720:2013
 EN 12721:2013
 UNI 9429:2015

CLASS OF

> Class 0

REACTION TO FIRE



ADIMEMBER



Primo Laterals 800

Varnish Vernici Vernis Lacke

Cabinet Body
Corpo
Caisson
Korpus



-V1
S711 (RAL 9010)
Pure white



-V6
S380 (RAL 9006)
White aluminium



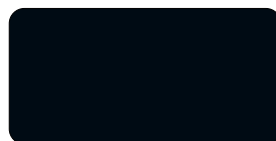
-V22
S811 (RAL 9005)
Jet black

Plinth
Zoccolo
Socle
Sockel



-V1
S210 (RAL 7021)
Black grey

Set of 3 metal separators
Set 3 divisori in metallo
Jeu 3 diviseurs en métal
Satz 3 Trennelemente aus
Metall



-V22
S811 (RAL 9005)
Jet black

Metal separator for hanging
fiel 330 mm
Convertitore lungo per
cartelle da 330 mm
Conertisseur pour dossiers
330 mm
Querstange für Hängemappen
330 mm



-V6
S380 (RAL 9006)
White aluminium

Glass Vetro Verre Glas

White lacquered glass top
Top di finitura in vetro
laccato bianco
Plateau en verre laqué
blanc
Glasabdeckplatte weiß
lackiert



-G1
Bianco/White/Blanc/Weiß

Primo Laterals 800

MADE IN ITALY

Storage cabinet

Unit with 3 filing drawers
W 800 x D 450 x H 1011 mm

Body: metal

V1 ○ white RAL 9010

art.6PRM0803P S711

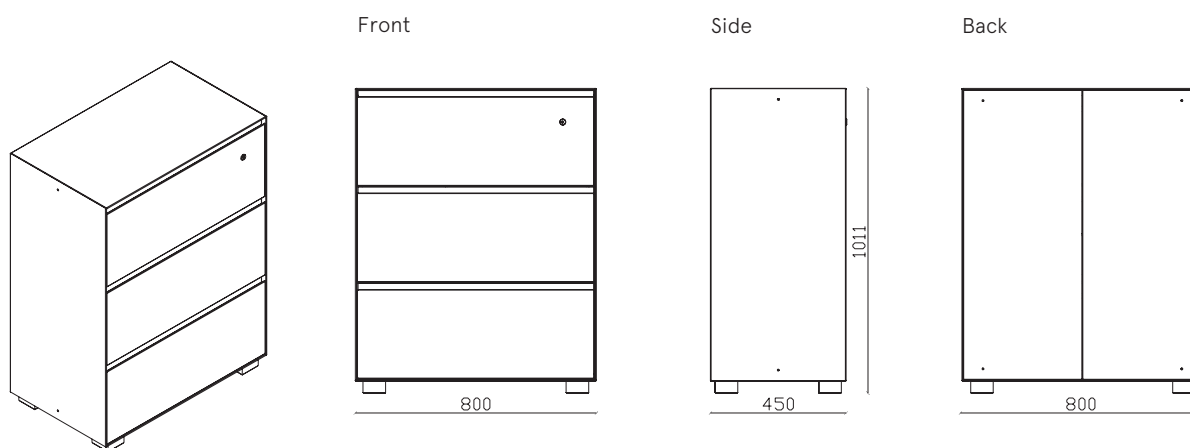
V6 ● aluminium RAL 9006

art.6PRM0803P S380

V22 ● black RAL 9005

art.6PRM0803P S811

DESIGNER Takiro Yuta



Primo Laterals 800

MADE IN ITALY

Storage cabinet

Unit with 3 filing drawers

W 800 x D 450 x H 1011 mm

DESIGNER Takiro Yuta

DESCRIPTION	Storage cabinet - Unit with 3 filing drawers
EXTERNAL DIMENSIONS	W 800 mm x D 450 mm x H 1011 mm
INTERNAL DIMENSIONS	W 690 mm x D 390 mm x H 260 mm
BINDERS	Capacity: N° 8 (x3)
HANGING FILES	Capacity: 58 (x3) 390 mm hanging files
PRODUCTION	<ul style="list-style-type: none"> > Dieffebi S.p.a. > Start of production: 2018 > Country of production: Italy
MATERIALS	> recycled and recyclable metal
FINISHING	<ul style="list-style-type: none"> > Low-emission powder coating (material inert) > Heavy metals free > Absence of sharp edges > Anti-glare finish > It does not contain VOCs
STANDARD COMPONENTS	<ul style="list-style-type: none"> > Recycled metal filing cabinet with guide telescopic with full extension > Soft closing amortized return (only for filing cabinet) > Centralized key lock for all filing cabinets > Nr. 4 converters L = 390 for 330 mm suspended folders > Internally adjustable feet H 40mm > Primo series module joining screws > Drilling template for joining modules

COLORS	<ul style="list-style-type: none"> > Available in 3 standard colors: V1 white (RAL 9010) V6 aluminium (RAL 9006) V22 black (RAL9005) > Standard semi-gloss colors > Customizable colors available upon request and with an extra charge: www.dieffebi.com/docs/299/2832/DFB_Colour-Chart-2020.pdf
---------------	---

ACCESSORIES	<ul style="list-style-type: none"> > White lacquered glass top RAL 9010 > Plinth H40mm (only for feet H40mm) > Set of 4 feet H 20mm > Set of 4 feet H 60 mm > Hanging files, length: 330 mm > Hanging files, length: 390 mm > Cylinder extraction key > Cylinder for keylock > Metal separator for hanging file 330 mm > Name holder > Counterweight
--------------------	--

NET WEIGHT	52,00 Kg
-------------------	----------

MAINTENANCE	<ul style="list-style-type: none"> > Clean with a soft cloth > Do not treat the surfaces with abrasive cloths
--------------------	---

PACKAGING	<ul style="list-style-type: none"> > volume: 0,56 m³ > In cardboard with edges protected with polystyrene, on single wooden pallet > Optimized for transport with CO2 reduction > Supplied: assembled > No. of packages: 1
------------------	---

END OF USE	> Equipped with disassembly card for disposal
-------------------	---

WARRANTY	> Dieffebi guarantees that the product was made using high quality materials - See warranty document
-----------------	--

Primo Laterals 800

MADE IN ITALY

Storage cabinet

Unit with 3 filing drawers

W 800 x D 450 x H 1011 mm

DESIGNER Takiro Yuta

WELLNESS AND ENVIRONMENT > Green design in accordance with LEED® standards, to design and furnish environments with a high sustainability content



FINISHING TEST

- UNI EN ISO 2409:2013
- NSS UNI EN ISO 9227:2017
- UNI EN 15187:2007EN ISO 1520:2006
- UNI EN ISO 6272-1:2013
- UNI EN 15185:2011
- UNI EN 15186:2012, met.B
- UNI 9300:2015
- EN 12720:2013
- EN 12721:2013
- UNI 9429:2015

CLASS OF REACTION TO FIRE > Class 0



ADIMEMBER



Primo Laterals 800

Varnish Vernici Vernis Lacke

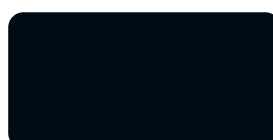
Cabinet Body
Corpo
Caisson
Korpus



-V1
S711 (RAL 9010)
Pure white



-V6
S380 (RAL 9006)
White aluminium



-V22
S811 (RAL 9005)
Jet black

Plinth
Zoccolo
Socle
Sockel



-V1
S210 (RAL 7021)
Black grey

Set of 3 metal separators
Set 3 divisori in metallo
Jeu 3 diviseurs en métal
Satz 3 Trennelemente aus
Metall



-V22
S811 (RAL 9005)
Jet black

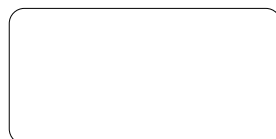
Metal separator for hanging
fiel 330 mm
Convertitore lungo per
cartelle da 330 mm
Conertisseur pour dossiers
330 mm
Querstange für Hängemappen
330 mm



-V6
S380 (RAL 9006)
White aluminium

Glass Vetro Verre Glas

White lacquered glass top
Top di finitura in vetro
laccato bianco
Plateau en verre laqué
blanc
Glasabdeckplatte weiß
lackiert



-G1
Bianco/White/Blanc/Weiß

Primo Laterals 800

MADE IN ITALY

Storage cabinet

Unit with 4 filing drawers

W 800 x D 450 x H 1331 mm

Body: metal

V1 ○ white RAL 9010

V6 ● aluminium RAL 9006

V22 ● black RAL 9005

art.6PRM0804P S711

art.6PRM0804P S380

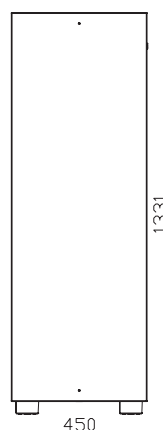
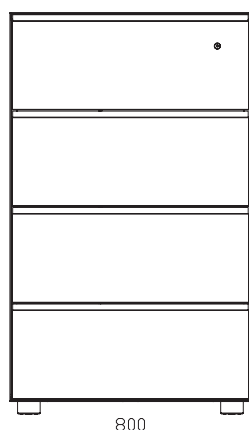
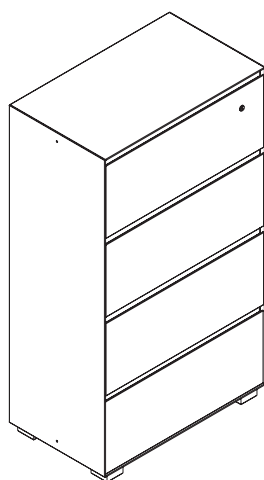
art.6PRM0804P S811

DESIGNER Takiro Yuta

Front

Side

Back



Primo Laterals 800

MADE IN ITALY

Storage cabinet

Unit with 4 filing drawers

W 800 x D 450 x H 1331 mm

DESIGNER Takiro Yuta

DESCRIPTION	Storage cabinet - Unit with 3 filing drawers
EXTERNAL DIMENSIONS	W 800 mm x D 450 mm x H 1331 mm
INTERNAL DIMENSIONS	W 690 mm x D 390 mm x H 260 mm
BINDERS	Capacity: N° 8 (x4)
HANGING FILES	Capacity: 58 (x4) 390 mm hanging files
PRODUCTION	<ul style="list-style-type: none"> > Dieffebi S.p.a. > Start of production: 2018 > Country of production: Italy
MATERIALS	> recycled and recyclable metal
FINISHING	<ul style="list-style-type: none"> > Low-emission powder coating (material inert) > Heavy metals free > Absence of sharp edges > Anti-glare finish > It does not contain VOCs
STANDARD COMPONENTS	<ul style="list-style-type: none"> > Recycled metal filing cabinet with guide telescopic with full extension > Soft closing amortized return (only for filing cabinet) > Centralized key lock for all filing cabinets > Nr. 4 converters L = 390 for 330 mm suspended folders > Internally adjustable feet H 40mm > Primo series module joining screws > Drilling template for joining modules

COLORS	<ul style="list-style-type: none"> > Available in 3 standard colors: V1 white (RAL 9010) V6 aluminium (RAL 9006) V22 black (RAL9005) > Standard semi-gloss colors > Customizable colors available upon request and with an extra charge: www.dieffebi.com/docs/299/2832/DFB_Colour-Chart-2020.pdf
---------------	---

ACCESSORIES	<ul style="list-style-type: none"> > White lacquered glass top RAL 9010 > Plinth H40mm (only for feet H40mm) > Set of 4 feet H 20mm > Set of 4 feet H 60 mm > Hanging files, length: 330 mm > Hanging files, length: 390 mm > Cylinder extraction key > Cylinder for keylock > Metal separator for hanging file 330 mm > Name holder > Counterweight
--------------------	--

NET WEIGHT	63,80 Kg
-------------------	----------

MAINTENANCE	<ul style="list-style-type: none"> > Clean with a soft cloth > Do not treat the surfaces with abrasive cloths
--------------------	---

PACKAGING	<ul style="list-style-type: none"> > volume: 0,71 m³ > In cardboard with edges protected with polystyrene, on single wooden pallet > Optimized for transport with CO2 reduction > Supplied: assembled > No. of packages: 1
------------------	---

END OF USE	> Equipped with disassembly card for disposal
-------------------	---

WARRANTY	> Dieffebi guarantees that the product was made using high quality materials - See warranty document
-----------------	--

Primo Laterals 800

MADE IN ITALY

Storage cabinet

Unit with 4 filing drawers

W 800 x D 450 x H 1331 mm

DESIGNER Takiro Yuta

WELLNESS AND ENVIRONMENT

> Green design in accordance with LEED® standards, to design and furnish environments with a high sustainability content



www.GreenTop.com



FINISHING TEST

UNI EN ISO 2409:2013
 NSS UNI EN ISO 9227:2017
 UNI EN 15187:2007EN ISO 1520:2006
 UNI EN ISO 6272-1:2013
 UNI EN 15185:2011
 UNI EN 15186:2012, met.B
 UNI 9300:2015
 EN 12720:2013
 EN 12721:2013
 UNI 9429:2015

CLASS OF

> Class 0

REACTION TO FIRE



dieffebi



MADE IN EUROPE

ASSUFFICIO
ASSOCIAZIONE FEDERLEGGISDIRREDO

ADIMEMBER



consip
 acquistinretepa.it
Il Fornitore Aggiuntivo della Pubblica Amministrazione

Dieffebi SpA

via Palù 36
 San Vendemiano,
 31020 Treviso - Italia

T +39 0438 4715
 F +39 0438 471600
 exportsales@dieffebi.com
 vendite@dieffebi.com
 www.dieffebi.com

Primo Laterals 800

Varnish Vernici Vernis Lacke

Cabinet Body
Corpo
Caisson
Korpus



-V1
S711 (RAL 9010)
Pure white



-V6
S380 (RAL 9006)
White aluminium



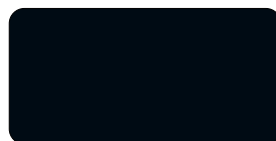
-V22
S811 (RAL 9005)
Jet black

Plinth
Zoccolo
Socle
Sockel



-V1
S210 (RAL 7021)
Black grey

Set of 3 metal separators
Set 3 divisori in metallo
Jeu 3 diviseurs en métal
Satz 3 Trennelemente aus
Metall



-V22
S811 (RAL 9005)
Jet black

Metal separator for hanging
fiel 330 mm
Convertitore lungo per
cartelle da 330 mm
Conertisseur pour dossiers
330 mm
Querstange für Hängemappen
330 mm



-V6
S380 (RAL 9006)
White aluminium

Glass Vetro Verre Glas

White lacquered glass top
Top di finitura in vetro
laccato bianco
Plateau en verre laqué
blanc
Glasabdeckplatte weiß
lackiert



-G1
Bianco/White/Blanc/Weiß

Primo Laterals 1000

MADE IN ITALY

Storage cabinet

Unit with 2 drawer + 1 filing drawer
W 1000 x D 450 x H 723 mm

Body: metal

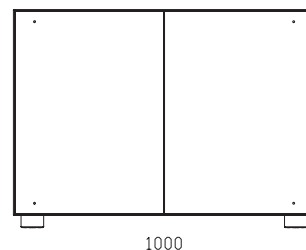
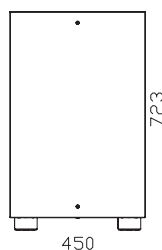
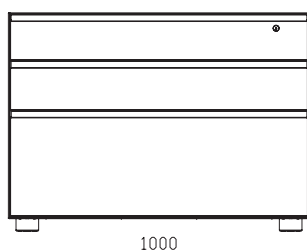
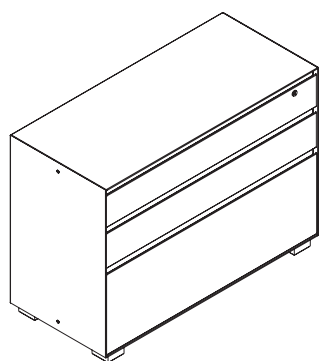
V1 ○ white RAL 9010
V6 ● aluminium RAL 9006
V22 ● black RAL 9005art.6PRM0001P S711
art.6PRM0001P S380
art.6PRM0001P S811

DESIGNER Takiro Yuta

Front

Side

Back



Primo Laterals 1000

MADE IN ITALY

Storage cabinet

Unit with 2 drawer + 1 filing drawer

W 1000 x D 450 x H 723 mm

DESIGNER Takiro Yuta

DESCRIPTION	Storage cabinet Unit with 2 drawer + 1 filing drawer	COLORS	> Available in 3 standard colors: V1 white (RAL 9010) V6 aluminium (RAL 9006) V22 black (RAL9005) > Standard semi-gloss colors > Customizable colors available upon request and with an extra charge: www.dieffebi.com/docs/299/2832/DFB_Colour-Chart-2020.pdf
EXTERNAL DIMENSIONS	L 1000 mm x P 400 mm x H 70 mm	ACCESSORIES	> White lacquered glass top RAL 9010 > Plinth H40mm (only for feet H40mm) > Set of 4 feet H 20mm > Set of 4 feet H 60 mm > Set of 3 metal separators 220 mm > Set of 3 metal separators 380 mm > Hanging files, length: 330 mm > Hanging files, length: 390 mm > Cylinder extraction key > Cylinder for keylock > Conersion bar for hanging files 330mm > Name holder > Kit of 2 CD mats to hold 90 Pcs > Counterweight
INTERNAL DIMENSIONS	> Drawer compartment: W 920 x D 400 x H 70 mm > Filing drawer compartment: W 890 x D 390 x H 260 mm	NET WEIGHT	52,80 Kg
BINDERS	Capacity: N° 10	MAINTENANCE	> Clean with a soft cloth > Do not treat the surfaces with abrasive cloths
HANGING FILES	Capacity: 75 hanging files of 390 mm (only for filing drawer)	PACKAGING	> volume: 0,52 m ³ > In cardboard with edges protected with polystyrene, on single wooden pallet > Optimized for transport with CO2 reduction > Supplied: assembled > No. of packages: 1
PRODUCTION	> Dieffebi S.p.a. > Start of production: 2018 > Country of production: Italy	END OF USE	> Equipped with disassembly card for disposal
MATERIALS	> recycled and recyclable metal	WARRANTY	> Dieffebi guarantees that the product was made using high quality materials - See warranty document
FINISHING	> Low-emission powder coating (material inert) > Heavy metals free > Absence of sharp edges > Anti-glare finish > It does not contain VOCs		
STANDARD COMPONENTS	> Recycled metal drawers with fully extractable telescopic runner > Recycled metal filing cabinet with guide telescopic with full extension > Soft closing amortized return (only for filing cabinet) > Centralized key lock for all drawers > Nr. 2 converters l = 390 for 330 mm suspended folders > Internally adjustable feet H 40mm > Primo series module joining screws > Drilling template for joining modules		

Primo Laterals 1000

MADE IN ITALY

Storage cabinet

Unit with 2 drawer + 1 filing drawer

W 1000 x D 450 x H 723 mm

DESIGNER Takiro Yuta

WELLNESS AND ENVIRONMENT

> Green design in accordance with LEED® standards, to design and furnish environments with a high sustainability content



www.GreenTop.com



FINISHING TEST

UNI EN ISO 2409:2013
 NSS UNI EN ISO 9227:2017
 UNI EN 15187:2007EN ISO 1520:2006
 UNI EN ISO 6272-1:2013
 UNI EN 15185:2011
 UNI EN 15186:2012, met.B
 UNI 9300:2015
 EN 12720:2013
 EN 12721:2013
 UNI 9429:2015

CLASS OF

> Class 0

REACTION TO FIRE



dieffebi



MADE IN EUROPE

ASSUFFICIO
ASSOCIAZIONE FEDERLEGGIDARREDI

ADIMEMBER



consip
 acquistinretepa.it
Il Fornitore Aggiuntivo della Pubblica Amministrazione

Dieffebi SpA

via Palù 36
 San Vendemiano,
 31020 Treviso - Italia

T +39 0438 4715
 F +39 0438 471600
 exportsales@dieffebi.com
 vendite@dieffebi.com
 www.dieffebi.com

Primo Laterals 1000

Varnish Vernici Vernis Lacke

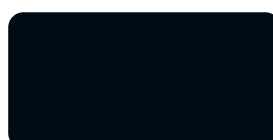
Cabinet Body
Corpo
Caisson
Korpus



-V1
S711 (RAL 9010)
Pure white

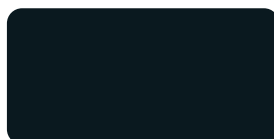


-V6
S380 (RAL 9006)
White aluminium



-V22
S811 (RAL 9005)
Jet black

Plinth
Zoccolo
Socle
Sockel



-V1
S210 (RAL 7021)
Black grey

Set of 3 metal separators
Set 3 divisori in metallo
Jeu 3 diviseurs en métal
Satz 3 Trennelemente aus
Metall



-V22
S811 (RAL 9005)
Jet black

Kit of 2 CD mats to hold
90 Pcs
Kit 2 tappetini porta CD
per N° 90 CD
Jeu 2 logements pour
90 CD
Kit 2 CD-Halter - 90 CDs



-V22
S811 (RAL 9005)
Jet black

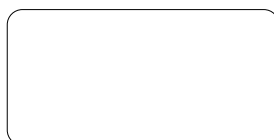
Metal separator for hanging
file 330 mm
Convertitore lungo per
cartelle da 330 mm
Convertisseur pour dossiers
330 mm
Querstange für Hängemappen
330 mm



-V6
S380 (RAL 9006)
White aluminium

Glass Vetro Verre Glas

White lacquered glass top
Top di finitura in vetro
laccato bianco
Plateau en verre laqué
blanc
Glasabdeckplatte weiß
lackiert



-G1
Bianco/White/Blanc/Weiß

Primo Laterals 1000

MADE IN ITALY

Storage cabinet

Unit with 2 drawers

W 1000 x D 450 x H 723 mm

Body: metal

V1 ○ white RAL 9010

art.6PRM0002P S711

V6 ● aluminium RAL 9006

art.6PRM0002P S380

V22 ● black RAL 9005

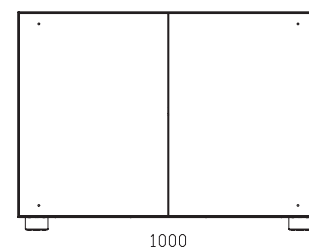
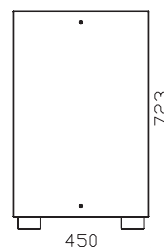
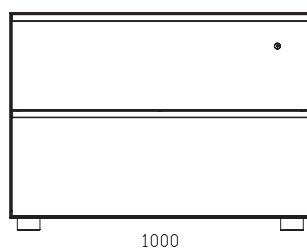
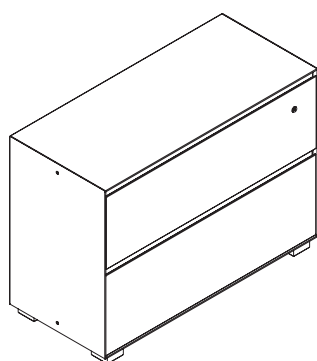
art.6PRM0002P S811

DESIGNER Takiro Yuta

Front

Side

Back



Dieffebi SpA

T +39 0438 4715

F +39 0438 471600

exportsales@dieffebi.com

vendite@dieffebi.com

www.dieffebi.com

Primo Laterals 1000

MADE IN ITALY

Storage cabinet

Unit with 2 drawers

W 1000 x D 450 x H 723 mm

DESIGNER Takiro Yuta

DESCRIPTION	Storage cabinet - Unit with 2 drawers	COLORS	<ul style="list-style-type: none"> > Available in 3 standard colors: V1 white (RAL 9010) V6 aluminium (RAL 9006) V22 black (RAL9005) > Standard semi-gloss colors > Customizable colors available upon request and with an extra charge: www.dieffebi.com/docs/299/2832/DFB_Colour-Chart-2020.pdf
EXTERNAL DIMENSIONS	W 1000 mm x D 450 mm x H 723 mm	ACCESSORIES	<ul style="list-style-type: none"> > White lacquered glass top RAL 9010 > Plinth H40mm (only for feet H40mm) > Set of 4 feet H 20mm > Set of 4 feet H 60 mm > Hanging files, length: 330 mm > Hanging files, length: 390 mm > Cylinder extraction key > Cylinder for keylock > Conersion bar for hanging files 330mm > Name holder > Counterweight
INTERNAL DIMENSIONS	W 890 mm x D 390 mm x H 260 mm	NET WEIGHT	48,00 Kg
BINDERS	Capacity: N° 10 (x2)	MAINTENANCE	<ul style="list-style-type: none"> > Clean with a soft cloth > Do not treat the surfaces with abrasive cloths
HANGING FILES	Capacity: 75 (x2) hanging files of 390 mm	PACKAGING	<ul style="list-style-type: none"> > volume: 0,52 m³ > In cardboard with edges protected with polystyrene, on single wooden pallet > Optimized for transport with CO2 reduction > Supplied: assembled > No. of packages: 1
PRODUCTION	<ul style="list-style-type: none"> > Dieffebi S.p.a. > Start of production: 2018 > Country of production: Italy 	END OF USE	> Equipped with disassembly card for disposal
MATERIALS	> recycled and recyclable metal	WARRANTY	> Dieffebi guarantees that the product was made using high quality materials - See warranty document
FINISHING	<ul style="list-style-type: none"> > Low-emission powder coating (material inert) > Heavy metals free > Absence of sharp edges > Anti-glare finish > It does not contain VOCs 		
STANDARD COMPONENTS	<ul style="list-style-type: none"> > Recycled metal filing cabinet with guide telescopic with full extension > Amortized soft closing > Centralized key lock for all filing cabinets > Nr. 4 converters l = 390 for 330 mm suspended folders > Internally adjustable feet H 40mm > Primo series module joining screws > Drilling template for joining modules 		

Primo Laterals 1000

MADE IN ITALY

Storage cabinet
Unit with 2 drawers
W 1000 x D 450 x H 723 mm

DESIGNER Takiro Yuta

WELLNESS AND ENVIRONMENT > Green design in accordance with LEED® standards, to design and furnish environments with a high sustainability content



FINISHING TEST UNI EN ISO 2409:2013
NSS UNI EN ISO 9227:2017
UNI EN 15187:2007EN ISO 1520:2006
UNI EN ISO 6272-1:2013
UNI EN 15185:2011
UNI EN 15186:2012, met.B
UNI 9300:2015
EN 12720:2013
EN 12721:2013
UNI 9429:2015

CLASS OF REACTION TO FIRE > Class 0



ADIMEMBER



Primo Laterals 1000

Varnish Vernici Vernis Lacke

Cabinet Body
Corpo
Caisson
Korpus



-V1
S711 (RAL 9010)
Pure white

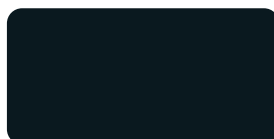


-V6
S380 (RAL 9006)
White aluminium



-V22
S811 (RAL 9005)
Jet black

Plinth
Zoccolo
Socle
Sockel



-V1
S210 (RAL 7021)
Black grey

Set of 3 metal separators
Set 3 divisori in metallo
Jeu 3 diviseurs en métal
Satz 3 Trennelemente aus
Metall



-V22
S811 (RAL 9005)
Jet black

Metal separator for hanging
file 330 mm
Convertitore lungo per
cartelle da 330 mm
Conertisseur pour dossiers
330 mm
Querstange für Hängemappen
330 mm



-V6
S380 (RAL 9006)
White aluminium

Glass Vetro Verre Glas

White lacquered glass top
Top di finitura in vetro
laccato bianco
Plateau en verre laqué
blanc
Glasabdeckplatte weiß
lackiert



-G1
Bianco/White/Blanc/Weiß

Primo Laterals 1000

MADE IN ITALY

Storage cabinet

Unit with 3 drawers

W 1000 x D 450 x H 1011 mm

Body: metal

V1 ○ white RAL 9010

art.6PRM0003P S711

V6 ● aluminium RAL 9006

art.6PRM0003P S380

V22 ● black RAL 9005

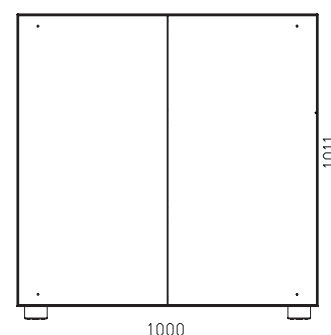
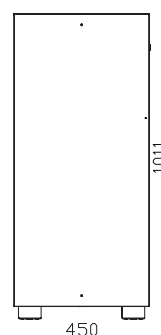
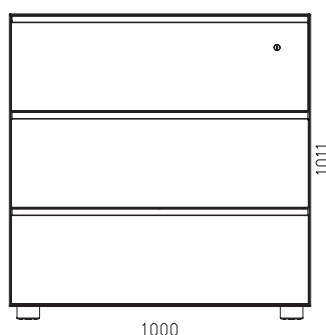
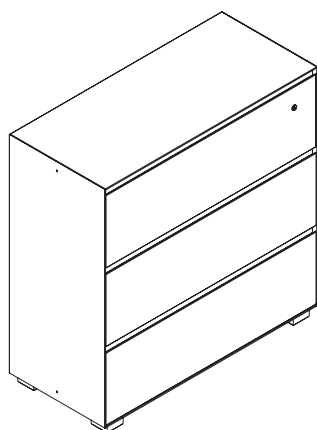
art.6PRM0003P S811

DESIGNER Takiro Yuta

Front

Side

Back



Primo Laterals 1000

MADE IN ITALY

Storage cabinet

Unit with 3 drawers

W 1000 x D 450 x H 1011 mm

DESIGNER Takiro Yuta

DESCRIPTION	Storage cabinet - Unit with 3 drawers	COLORS	<ul style="list-style-type: none"> > Available in 3 standard colors: V1 white (RAL 9010) V6 aluminium (RAL 9006) V22 black (RAL9005) > Standard semi-gloss colors > Customizable colors available upon request and with an extra charge: www.dieffebi.com/docs/299/2832/DFB_Colour-Chart-2020.pdf
EXTERNAL DIMENSIONS	W 1000 mm x D 450 mm x H 1011 mm	ACCESSORIES	<ul style="list-style-type: none"> > White lacquered glass top RAL 9010 > Plinth H40mm (only for feet H40mm) > Set of 4 feet H 20mm > Set of 4 feet H 60 mm > Hanging files, length: 330 mm > Hanging files, length: 390 mm > Cylinder extraction key > Cylinder for keylock > Conersion bar for hanging files 330mm > Name holder > Counterweight
INTERNAL DIMENSIONS	W 890 mm x D 390 mm x H 260 mm	NET WEIGHT	65,00 Kg
BINDERS	Capacity: N° 10 (x3)	MAINTENANCE	<ul style="list-style-type: none"> > Clean with a soft cloth > Do not treat the surfaces with abrasive cloths
HANGING FILES	Capacity: 75 (x3) hanging files of 390 mm	PACKAGING	<ul style="list-style-type: none"> > volume: 0,69 m³ > In cardboard with edges protected with polystyrene, on single wooden pallet > Optimized for transport with CO2 reduction > Supplied: assembled > No. of packages: 1
PRODUCTION	<ul style="list-style-type: none"> > Dieffebi S.p.a. > Start of production: 2018 > Country of production: Italy 	END OF USE	> Equipped with disassembly card for disposal
MATERIALS	> recycled and recyclable metal	WARRANTY	> Dieffebi guarantees that the product was made using high quality materials - See warranty document
FINISHING	<ul style="list-style-type: none"> > Low-emission powder coating (material inert) > Heavy metals free > Absence of sharp edges > Anti-glare finish > It does not contain VOCs 		
STANDARD COMPONENTS	<ul style="list-style-type: none"> > Recycled metal filing cabinet with guide telescopic with full extension > Amortized soft closing > Centralized key lock for all filing cabinets > Nr. 6 converters l = 390 for 330 mm suspended folders > Internally adjustable feet H 40mm > Primo series module joining screws > Drilling template for joining modules 		

Primo Laterals 1000

MADE IN ITALY

Storage cabinet
Unit with 3 drawers
W 1000 x D 450 x H 1011 mm

DESIGNER Takiro Yuta

WELLNESS AND ENVIRONMENT > Green design in accordance with LEED® standards, to design and furnish environments with a high sustainability content



www.GreenTop.com



FINISHING TEST

- UNI EN ISO 2409:2013
- NSS UNI EN ISO 9227:2017
- UNI EN 15187:2007EN ISO 1520:2006
- UNI EN ISO 6272-1:2013
- UNI EN 15185:2011
- UNI EN 15186:2012, met.B
- UNI 9300:2015
- EN 12720:2013
- EN 12721:2013
- UNI 9429:2015

CLASS OF REACTION TO FIRE > Class 0



ADIMEMBER



Primo Laterals 1000

Varnish Vernici Vernis Lacke

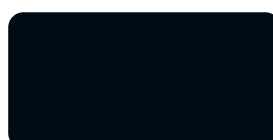
Cabinet Body
Corpo
Caisson
Korpus



-V1
S711 (RAL 9010)
Pure white

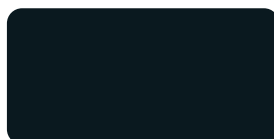


-V6
S380 (RAL 9006)
White aluminium



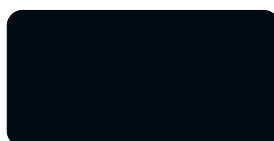
-V22
S811 (RAL 9005)
Jet black

Plinth
Zoccolo
Socle
Sockel



-V1
S210 (RAL 7021)
Black grey

Set of 3 metal separators
Set 3 divisori in metallo
Jeu 3 diviseurs en métal
Satz 3 Trennelemente aus
Metall



-V22
S811 (RAL 9005)
Jet black

Metal separator for hanging
file 330 mm
Convertitore lungo per
cartelle da 330 mm
Conertisseur pour dossiers
330 mm
Querstange für Hängemappen
330 mm



-V6
S380 (RAL 9006)
White aluminium

Glass Vetro Verre Glas

White lacquered glass top
Top di finitura in vetro
laccato bianco
Plateau en verre laqué
blanc
Glasabdeckplatte weiß
lackiert



-G1
Bianco/White/Blanc/Weiß

Primo Laterals 1000

MADE IN ITALY

Storage cabinet

Unit with 4 drawers

W 1000 x D 450 x H 1331 mm

Body: metal

V1 ○ white RAL 9010

art.6PRM0004P S711

V6 ● aluminium RAL 9006

art.6PRM0004P S380

V22 ● black RAL 9005

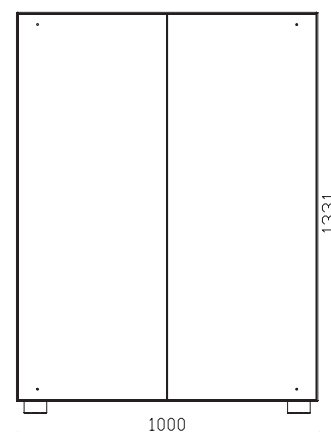
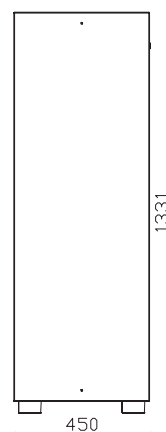
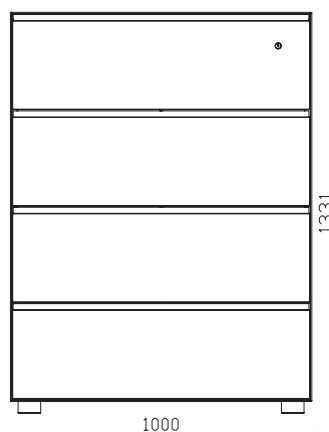
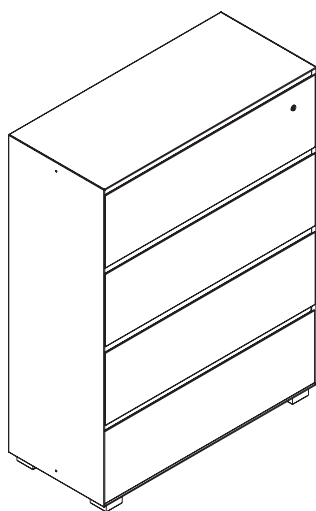
art.6PRM0004P S811

DESIGNER Takiro Yuta

Front

Side

Back



Primo Laterals 1000

MADE IN ITALY

Storage cabinet
Unit with 4 drawers
W 1000 x D 450 x H 1331 mm

DESIGNER Takiro Yuta

DESCRIPTION	Storage cabinet - Unit with 4 drawers
EXTERNAL DIMENSIONS	W 1000 mm x D 450 mm x H 1331 mm
INTERNAL DIMENSIONS	W 890 mm x D 390 mm x H 260 mm
BINDERS	Capacity: N° 10 (x4)
HANGING FILES	Capacity: 75 (x4) hanging files of 390 mm
PRODUCTION	<ul style="list-style-type: none"> > Dieffebi S.p.a. > Start of production: 2018 > Country of production: Italy
MATERIALS	> recycled and recyclable metal
FINISHING	<ul style="list-style-type: none"> > Low-emission powder coating (material inert) > Heavy metals free > Absence of sharp edges > Anti-glare finish > It does not contain VOCs
STANDARD COMPONENTS	<ul style="list-style-type: none"> > Recycled metal filing cabinet with guide telescopic with full extension > Amortized soft closing > Centralized key lock for all filing cabinets > Nr. 8 converters l = 390 for 330 mm suspended folders > Internally adjustable feet H 40mm > Primo series module joining screws > Drilling template for joining modules

COLORS	<ul style="list-style-type: none"> > Available in 3 standard colors: V1 white (RAL 9010) V6 aluminium (RAL 9006) V22 black (RAL9005) > Standard semi-gloss colors > Customizable colors available upon request and with an extra charge: www.dieffebi.com/docs/299/2832/DFB_Colour-Chart-2020.pdf
---------------	---

ACCESSORIES	<ul style="list-style-type: none"> > White lacquered glass top RAL 9010 > Plinth H40mm (only for feet H40mm) > Set of 4 feet H 20mm > Set of 4 feet H 60 mm > Hanging files, length: 330 mm > Hanging files, length: 390 mm > Cylinder extraction key > Cylinder for keylock > Conersion bar for hanging files 330mm > Name holder > Counterweight
--------------------	--

NET WEIGHT	79,60 Kg
-------------------	----------

MAINTENANCE	<ul style="list-style-type: none"> > Clean with a soft cloth > Do not treat the surfaces with abrasive cloths
--------------------	---

PACKAGING	<ul style="list-style-type: none"> > volume: 0,87 m³ > In cardboard with edges protected with polystyrene, on single wooden pallet > Optimized for transport with CO2 reduction > Supplied: assembled > No. of packages: 1
------------------	---

END OF USE	> Equipped with disassembly card for disposal
-------------------	---

WARRANTY	> Dieffebi guarantees that the product was made using high quality materials - See warranty document
-----------------	--

Primo Laterals 1000

MADE IN ITALY

Storage cabinet

Unit with 4 drawers

W 1000 x D 450 x H 1331 mm

DESIGNER Takiro Yuta

WELLNESS AND ENVIRONMENT > Green design in accordance with LEED® standards, to design and furnish environments with a high sustainability content



FINISHING TEST

- UNI EN ISO 2409:2013
- NSS UNI EN ISO 9227:2017
- UNI EN 15187:2007EN ISO 1520:2006
- UNI EN ISO 6272-1:2013
- UNI EN 15185:2011
- UNI EN 15186:2012, met.B
- UNI 9300:2015
- EN 12720:2013
- EN 12721:2013
- UNI 9429:2015

CLASS OF REACTION TO FIRE > Class 0



ADIMEMBER



Primo Laterals 1000

Varnish Vernici Vernis Lacke

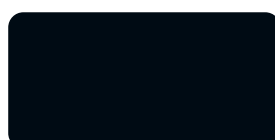
Cabinet Body
Corpo
Caisson
Korpus



-V1
S711 (RAL 9010)
Pure white



-V6
S380 (RAL 9006)
White aluminium



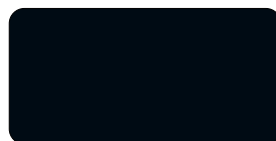
-V22
S811 (RAL 9005)
Jet black

Plinth
Zoccolo
Socle
Sockel



-V1
S210 (RAL 7021)
Black grey

Set of 3 metal separators
Set 3 divisori in metallo
Jeu 3 diviseurs en métal
Satz 3 Trennelemente aus
Metall



-V22
S811 (RAL 9005)
Jet black

Metal separator for hanging
file 330 mm
Convertitore lungo per
cartelle da 330 mm
Conertisseur pour dossiers
330 mm
Querstange für Hängemappen
330 mm



-V6
S380 (RAL 9006)
White aluminium

Glass Vetro Verre Glas

White lacquered glass top
Top di finitura in vetro
laccato bianco
Plateau en verre laqué
blanc
Glasabdeckplatte weiß
lackiert



-G1
Bianco/White/Blanc/Weiß