

Monoplus Design

MADE IN ITALY

1-door metal locker H 1800 mm

W 322 mm x D 500 mm x H 1800 mm

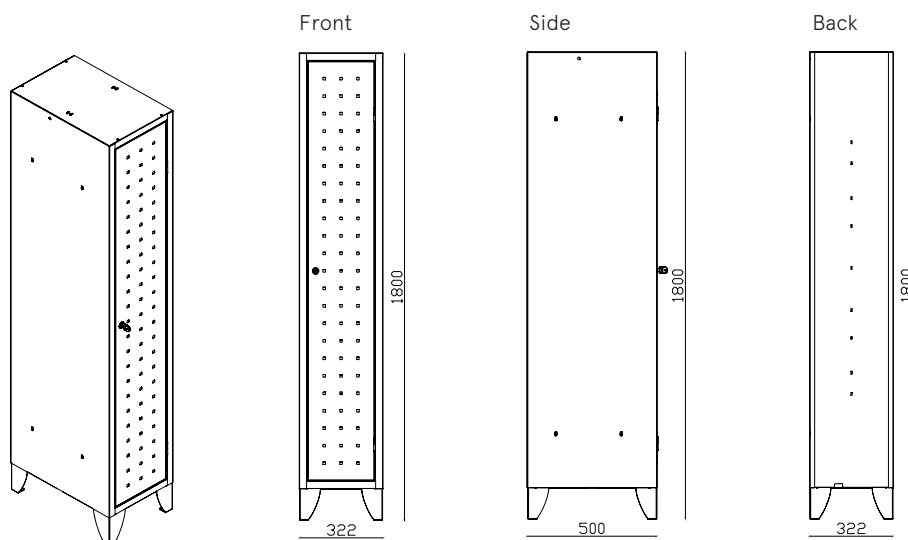
Body: metal

V3 ● light grey RAL 7035
 V3 ● light grey RAL 7035
 V3 ● light grey RAL 7035
 V3 ● light grey RAL 7035
 V3 ● light grey RAL 7035
 V3 ● light grey RAL 7035

Door: metal

V3 ● light grey RAL 7035
 V27 ● blue RAL 5010
 V29 ● orange RAL 2004
 V14 ● green RAL 6018
 V28 ● yellow RAL 1003
 V30 ● red RAL 3001

art.1351N001C 7035
 art.1351N001C X7GA
 art.1351N001C X1GD
 art.1351N001C X5GV
 art.1351N001C X0GI
 art.1351N001C X9GR



Monoplus Design

MADE IN ITALY

1-door metal locker H 1800 mm

W 322 mm x D 500 mm x H 1800 mm

DESCRIPTION	1-door metal locker H 1800 mm	COLORS	<ul style="list-style-type: none"> > Structure available in 1 standard color: light grey > Door available in 6 standard colors: light grey/blue/orange/green/yellow/red > Standard semi-gloss colors
EXTERNAL DIMENSIONS	W 322 mm x D 500 mm x H 1800 mm	ACCESSORIES	<ul style="list-style-type: none"> > Sloping top light grey RAL 7035 > Master key > Lockable padlock catch in metal > Adjustable feet > Name holder (not applicable on padlockable nose pad) > Complete lock
INTERNAL DIMENSIONS	W 320 mm x D 480 mm x H 1610 mm	NET WEIGHT	18,00 Kg
PRODUCTION	<ul style="list-style-type: none"> > Dieffebi S.p.a. > Start of production: 2000 > Country of production: Italy 	MAINTENANCE	<ul style="list-style-type: none"> > Clean with a soft cloth > Do not treat the surfaces with abrasive cloths
MATERIALS	<ul style="list-style-type: none"> > Structure in recycled and recyclable metal on electro-welded metal feet > Doors in recycled and recyclable metal Hinges on metal hinges 180 ° door opening 	PACKAGING	<ul style="list-style-type: none"> > volume: 0,29 m³ > Plastic film + cardboard corners > Optimized for transport with CO2 reduction > Supplied assembled > No. of packages: 1
FINISHING	<ul style="list-style-type: none"> > Low-emission powder coating (material inert) > Heavy metals free > Absence of sharp edges > Anti-glare finish > It does not contain VOCs 	END OF USE	> Equipped with disassembly card for disposal
STANDARD COMPONENTS	<ul style="list-style-type: none"> > Electro welded metal feet H 120 mm > One-way lever closure > Cylinder lock with 2 keys (fixed + folding) > Doors with 10x10 square ventilation holes > Fixed metal shelf > Coat hanger with hooks > Towel ring or umbrella holder > Drip tray 	WARRANTY	> Dieffebi guarantees that the product was made using high quality materials - See warranty document

Monoplus Design

MADE IN ITALY

1-door metal locker H 1800 mm

W 322 mm x D 500 mm x H 1800 mm

WELLNESS AND ENVIRONMENT

> Green design in accordance with LEED® standards, to design and furnish environments with a high sustainability content



STRUCTURE TEST

EN 14073-2:2004, par. 3.4
 EN 14073-3:2004, par. 5.2
 EN 14073-3:2004, par. 5.3.1
 EN 14073-3:2004, par. 5.3.2
 EN 14073-3:2004, par. 5.5
 EN 14074:2004, par. 6.3.1
 EN 14074:2004, par. 6.3.2
 EN 14074:2004, par. 6.3.3

FINISHING TEST

UNI EN ISO 2409:2013
 NSS UNI EN ISO 9227:2017
 UNI EN 15187:2007
 EN ISO 1520:2006
 UNI EN ISO 6272-1:2013
 UNI EN 15185:2011
 UNI EN 15186:2012, met.B
 UNI 9300:2015
 EN 12720:2013
 EN 12721:2013
 UNI 9429:2015

CLASS OF

> Class 0

REACTION TO FIRE

POSITIONING

> Both on the wall and in the center of the room



ADIMEMBER



Dieffebi SpA

via Palù 36
 San Vendemiano,
 31020 Treviso - Italia

T +39 0438 4715
 F +39 0438 471600
 exportsales@dieffebi.com
 vendite@dieffebi.com
 www.dieffebi.com

Monoplus Design

Varnish
Vernici
Vernis
Lacke

Cabinet body
Corpo
Caisson
Korpus



-V3
7035 (RAL 7035)
Light grey

Door
Anta
Porte
Tür



-V3
7035 (RAL 7035)
Light grey



-V27
RAL 5010
Blue



-V29
RAL 2004
Orange



-V14
S024 (RAL 6018)
Yellow green



-V28
RAL 1003
Yellow



-V30
RAL 3001
Red

Sloping top
Tettuccio inclinato
Toit incliné
Schrägdach



-V3
7035 (RAL 7035)
Light grey

Monoplus Design

MADE IN ITALY

2-door metal locker H 1800 mm

W 615 mm x D 500 mm x H 1800 mm

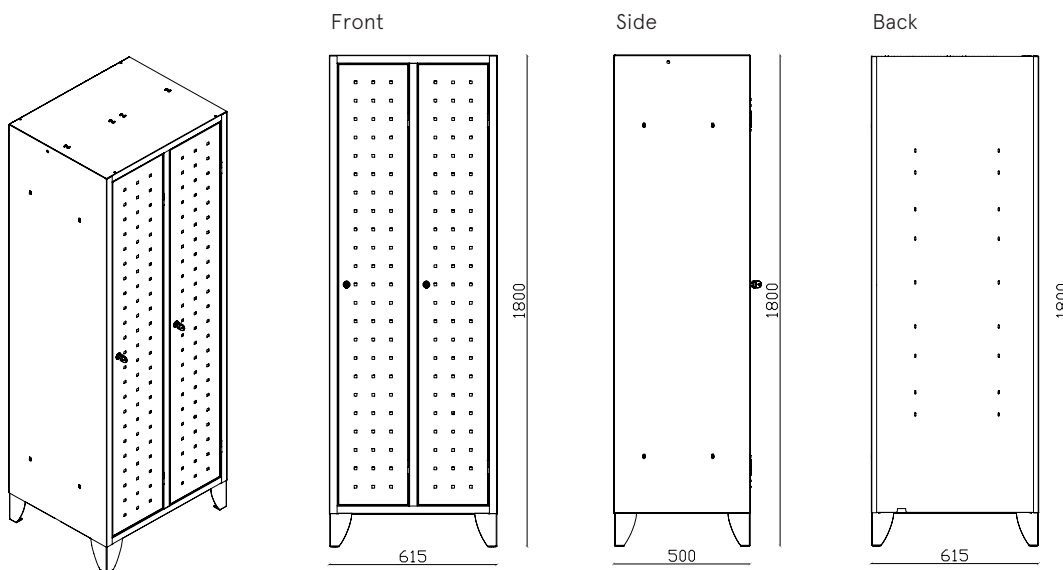
Body: metal

- V3 ● light grey RAL 7035
- V3 ● light grey RAL 7035
- V3 ● light grey RAL 7035
- V3 ● light grey RAL 7035
- V3 ● light grey RAL 7035
- V3 ● light grey RAL 7035

Door: metal

- V3 ● light grey RAL 7035
- V27 ● blue RAL 5010
- V29 ● orange RAL 2004
- V14 ● green RAL 6018
- V28 ● yellow RAL 1003
- V30 ● red RAL 3001

- art.1352N001C 7035
- art.1352N001C X7GA
- art.1352N001C X1GD
- art.1352N001C X5GV
- art.1352N001C X0GI
- art.1352N001C X9GR



Monoplus Design

MADE IN ITALY

2-door metal locker H 1800 mm

W 615 mm x D 500 mm x H 1800 mm

DESCRIPTION	2-door metal locker H 1800 mm	COLORS	<ul style="list-style-type: none"> > Structure available in 1 standard color: light grey > Door available in 6 standard colors: light grey/blue/orange/green/yellow/red > Standard semi-gloss colors
EXTERNAL DIMENSIONS	W 615 mm x D 500 mm x H 1800 mm	ACCESSORIES	<ul style="list-style-type: none"> > Sloping top light grey RAL 7035 > Bench for locker > Master key > Lockable padlock catch in metal > Adjustable feet > Name holder (not applicable on padlockable nose pad) > Complete lock
INTERNAL DIMENSIONS	W 320 mm x D 480 mm x H 1610 mm	NET WEIGHT	29,00 Kg
PRODUCTION	<ul style="list-style-type: none"> > Dieffebi S.p.a. > Start of production: 2000 > Country of production: Italy 	MAINTENANCE	<ul style="list-style-type: none"> > Clean with a soft cloth > Do not treat the surfaces with abrasive cloths
MATERIALS	<ul style="list-style-type: none"> > Structure in recycled and recyclable metal on electro-welded metal feet > Doors in recycled and recyclable metal Hinges on metal hinges 180 ° door opening 	PACKAGING	<ul style="list-style-type: none"> > volume: 0,55 m³ > Plastic film + cardboard corners > Optimized for transport with CO2 reduction > Supplied assembled > No. of packages: 1
FINISHING	<ul style="list-style-type: none"> > Low-emission powder coating (material inert) > Heavy metals free > Absence of sharp edges > Anti-glare finish > It does not contain VOCs 	END OF USE	<ul style="list-style-type: none"> > Equipped with disassembly card for disposal
STANDARD COMPONENTS	<ul style="list-style-type: none"> > Electro-welded metal feet H 120 mm > One-way lever closure > Cylinder lock with 2 keys (fixed + folding) > Doors with 10x10 square ventilation holes > Fixed metal shelf > Coat hanger with hooks > Towel ring or umbrella holder > Drip tray 	WARRANTY	<ul style="list-style-type: none"> > Dieffebi guarantees that the product was made using high quality materials - See warranty document

Monoplus Design

MADE IN ITALY

2-door metal locker H 1800 mm

W 615 mm x D 500 mm x H 1800 mm

WELLNESS AND ENVIRONMENT > Green design in accordance with LEED® standards, to design and furnish environments with a high sustainability content



STRUCTURE TEST EN 14073-2:2004, par. 3.4
 EN 14073-3:2004, par. 5.2
 EN 14073-3:2004, par. 5.3.1
 EN 14073-3:2004, par. 5.3.2
 EN 14073-3:2004, par. 5.5
 EN 14074:2004, par. 6.3.1
 EN 14074:2004, par. 6.3.2
 EN 14074:2004, par. 6.3.3

FINISHING TEST UNI EN ISO 2409:2013
 NSS UNI EN ISO 9227:2017
 UNI EN 15187:2007
 EN ISO 1520:2006
 UNI EN ISO 6272-1:2013
 UNI EN 15185:2011
 UNI EN 15186:2012, met.B
 UNI 9300:2015
 EN 12720:2013
 EN 12721:2013
 UNI 9429:2015

CLASS OF > Class 0

REACTION TO FIRE

POSITIONING > Both on the wall and in the center of the room



ADIMEMBER



Monoplus Design

Varnish
Vernici
Vernis
Lacke

Cabinet body
Corpo
Caisson
Korpus



-V3
7035 (RAL 7035)
Light grey

Door
Anta
Porte
Tür



-V3
7035 (RAL 7035)
Light grey



-V27
RAL 5010
Blue



-V29
RAL 2004
Orange



-V14
S024 (RAL 6018)
Yellow green



-V28
RAL 1003
Yellow



-V30
RAL 3001
Red

Sloping top
Tettuccio inclinato
Toit incliné
Schrägdach



-V3
7035 (RAL 7035)
Light grey

Bench for locker
Panca per armadio
Banc pour casier
Sitzbank für Spind

Struttura: metallo



-V3
7035 (RAL 7035)
Light grey

Seduta: legno



-W1
Pino giallo/Yellow-pine/Pin jaune/
Gelb-Kiefer

Monoplus Design

MADE IN ITALY

3-door metal locker H 1800 mm

W 907 mm x D 500 mm x H 1800 mm

Body: metal

V3 ● light grey RAL 7035

V3 ● light grey RAL 7035

V3 ● light grey RAL 7035

V3 ● light grey RAL 7035

V3 ● light grey RAL 7035

V3 ● light grey RAL 7035

Door: metal

V3 ● light grey RAL 7035

V27 ● blue RAL 5010

V29 ● orange RAL 2004

V14 ● green RAL 6018

V28 ● yellow RAL 1003

V30 ● red RAL 3001

art.1353N001C 7035

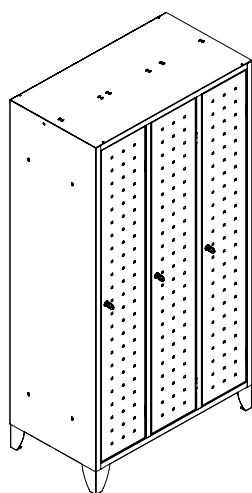
art.1353N001C X7GA

art.1353N001C X1GD

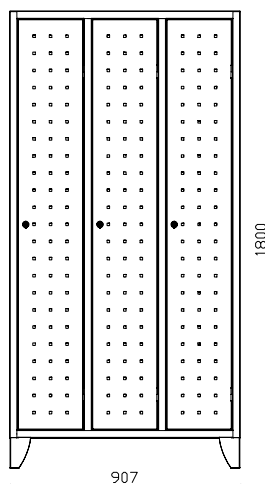
art.1353N001C X5GV

art.1353N001C X0GI

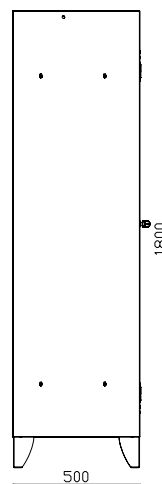
art.1353N001C X9GR



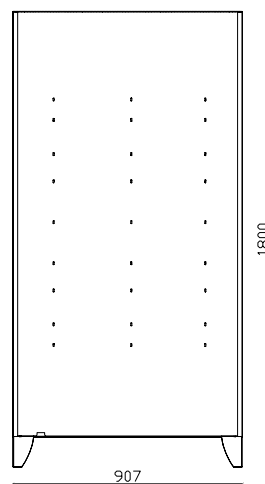
Front



Side



Back



Monoplus Design

MADE IN ITALY

3-door metal locker H 1800 mm

W 907 mm x D 500 mm x H 1800 mm

DESCRIPTION	3-door metal locker H 1800 mm	COLORS	<ul style="list-style-type: none"> > Structure available in 1 standard color: light grey > Door available in 6 standard colors: light grey/blue/orange/green/yellow/red > Standard semi-gloss colors
EXTERNAL DIMENSIONS	W 907 mm x D 500 mm x H 1800 mm	ACCESSORIES	<ul style="list-style-type: none"> > Sloping top light grey RAL 7035 > Bench for locker > Master key > Lockable padlock catch in metal > Adjustable feet > Name holder (not applicable on padlockable nose pad) > Complete lock
INTERNAL DIMENSIONS	W 320 mm x D 480 mm x H 1610 mm	NET WEIGHT	41,00 Kg
PRODUCTION	<ul style="list-style-type: none"> > Dieffebi S.p.a. > Start of production: 2000 > Country of production: Italy 	MAINTENANCE	<ul style="list-style-type: none"> > Clean with a soft cloth > Do not treat the surfaces with abrasive cloths
MATERIALS	<ul style="list-style-type: none"> > Structure in recycled and recyclable metal on electro-welded metal feet > Doors in recycled and recyclable metal Hinges on metal hinges 180 ° door opening 	PACKAGING	<ul style="list-style-type: none"> > volume: 0,81 m³ > Plastic film + cardboard corners > Optimized for transport with CO2 reduction > Supplied assembled > No. of packages: 1
FINISHING	<ul style="list-style-type: none"> > Low-emission powder coating (material inert) > Heavy metals free > Absence of sharp edges > Anti-glare finish > It does not contain VOCs 	END OF USE	<ul style="list-style-type: none"> > Equipped with disassembly card for disposal
STANDARD COMPONENTS	<ul style="list-style-type: none"> > Electro welded metal feet h120 mm > One-way lever closure > Cylinder lock with 2 keys (fixed + folding) > Doors with 10x10 square ventilation holes > Fixed metal shelf > Coat hanger with hooks > Towel ring or umbrella holder > Drip tray 	WARRANTY	<ul style="list-style-type: none"> > Dieffebi guarantees that the product was made using high quality materials - See warranty document

Monoplus Design

MADE IN ITALY

3-door metal locker H 1800 mm

W 907 mm x D 500 mm x H 1800 mm

WELLNESS AND ENVIRONMENT > Green design in accordance with LEED® standards, to design and furnish environments with a high sustainability content



www.GreenTop.com



STRUCTURE TEST EN 14073-2:2004, par. 3.4
 EN 14073-3:2004, par. 5.2
 EN 14073-3:2004, par. 5.3.1
 EN 14073-3:2004, par. 5.3.2
 EN 14073-3:2004, par. 5.5
 EN 14074:2004, par. 6.3.1
 EN 14074:2004, par. 6.3.2
 EN 14074:2004, par. 6.3.3

FINISHING TEST UNI EN ISO 2409:2013
 NSS UNI EN ISO 9227:2017
 UNI EN 15187:2007
 EN ISO 1520:2006
 UNI EN ISO 6272-1:2013
 UNI EN 15185:2011
 UNI EN 15186:2012, met.B
 UNI 9300:2015
 EN 12720:2013
 EN 12721:2013
 UNI 9429:2015

CLASS OF REACTION TO FIRE > Class 0

POSITIONING > Both on the wall and in the center of the room



dieffebi



MADE IN EUROPE

ASSUFFICIO
ASSOCIAZIONE FIDELIENSI/ARREDO

ADIMEMBER



consip
 acquistinretepa.it
 Il Fornitore Aggiuntivo della Pubblica Amministrazione

Dieffebi SpA

3 via Palù 36
 San Vendemiano,
 31020 Treviso - Italia

T +39 0438 4715
 F +39 0438 471600
 exportsales@dieffebi.com
 vendite@dieffebi.com
 www.dieffebi.com

23 07 2021

Monoplus Design

Varnish
Vernici
Vernis
Lacke

Cabinet body
Corpo
Caisson
Korpus



-V3
7035 (RAL 7035)
Light grey

Door
Anta
Porte
Tür



-V3
7035 (RAL 7035)
Light grey



-V27
RAL 5010
Blue



-V29
RAL 2004
Orange



-V14
S024 (RAL 6018)
Yellow green



-V28
RAL 1003
Yellow



-V30
RAL 3001
Red

Sloping top
Tettuccio inclinato
Toit incliné
Schrägdach



-V3
7035 (RAL 7035)
Light grey

Bench for locker
Panca per armadio
Banc pour casier
Sitzbank für Spind

Struttura: metallo



-V3
7035 (RAL 7035)
Light grey

Seduta: legno



-W1
Pino giallo/Yellow-pine/Pin jaune/
Gelb-Kiefer