


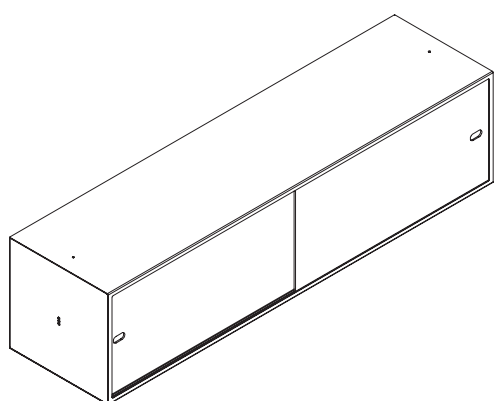
DotBox

MADE IN ITALY

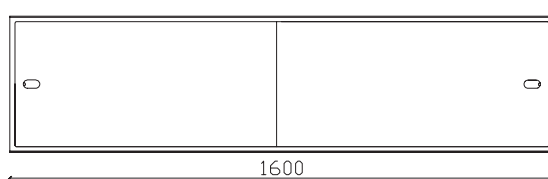
Unit with sliding door in perspex matt white
W 1600 x D 410 x H 400 mm

V1  white RAL 9010 art.6D1200010 S711
V2  silk grey RAL 7044 art.6D1200010 7044

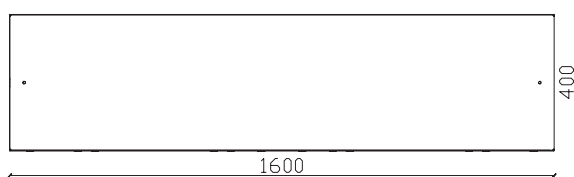
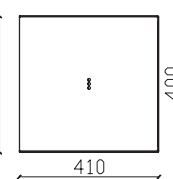
DESIGNER Hangar Design Group



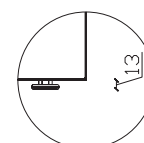
Front



Side



Feet detail



Back



DotBox

MADE IN ITALY

Unit with sliding door in perspex matt white
W 1600 x D 410 x H 400 mm

DESIGNER Hangar Design Group

DESCRIPTION	Modular system	COLORS	<ul style="list-style-type: none"> > Available in 2 standard colors > Standard semi-gloss colors > Customizable colors available upon request and with an extra charge www.dieffebi.com/docs/299/2832/DFB_Colour-Chart-2020.pdf www.dieffebi.com/it/news
EXTERNAL DIMENSIONS	W 1600 mm x D 410 mm x H 400mm	ACCESSORIES	<ul style="list-style-type: none"> > White lacquered glass top RAL 9010
INTERNAL DIMENSIONS	W 670 mm (x2) x D 380 mm x H 365 mm	NET WEIGHT	35,00 Kg
BINDERS	N°8+8	PACKAGING	<ul style="list-style-type: none"> > volume: 0,40 m³ > recycled and recyclable cardboard > Multiple on pallets > Optimized for transport with CO2 reduction > Supplied: Assembled > No. of packages: 1
PRODUCTION	<ul style="list-style-type: none"> > Dieffebi S.p.a. > Start of production: 2013 > Country of production: Italy 	END OF USE	<ul style="list-style-type: none"> > Equipped with disassembly card for disposal
MAINTENANCE	<ul style="list-style-type: none"> > Clean with a soft cloth > Do not treat the surfaces with abrasive cloths 	WARRANTY	<ul style="list-style-type: none"> > Dieffebi guarantees that the product was made using high quality materials - See warranty document
MATERIALS	<ul style="list-style-type: none"> > Structure made of recycled and recyclable metal 		
FINISHING	<ul style="list-style-type: none"> > Low-emission powder coating (material inert) > Free from heavy metals > Absence of sharp edges and cutting edges > Anti-glare finish > It does not contain VOCs 		

DotBox

MADE IN ITALY

Unit with sliding door in perspex matt white
W 1600 x D 410 x H 400 mm

DESIGNER Hangar Design Group

WELLNESS AND ENVIRONMENT

> Green design in accordance with LEED® standards, to design and furnish environments with a high sustainability content



www.GreenTop.com



METAL TEST

> UNI EN ISO 2409:2013 > EN ISO 1520:2006
> NSS UNI EN ISO 9227:2017 > UNI 9300:2015
> UNI EN 15187:2007 > UNI EN ISO 6272-1:2013
> EN 12720:2013 > UNI EN 15185:2011
> EN 12721:2013 > UNI EN 15186:2012, met.B
> UNI 9429:2015

CLASS OF

> Structure Class 0

REACTION TO FIRE

> Sliding doors: in ACRIDITE 130 (PMMA poli metilmetacrilato) - Class of reaction to fire E - DIN EN 13501 EUROCLASS

POSITIONING

> Both on the wall and in the center of the room

MODULARITY

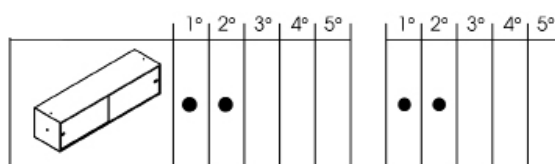
> Vertical and horizontal

ASSEMBLY CONSTRAINTS

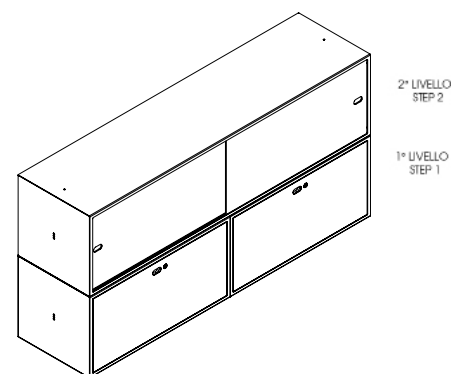
> Compositions:

on the wall

center of the room



> Composition: example



dieffebi



MADE IN EUROPE



ASSUFFICIO
ASSOCIAZIONE FIDELIENEGARRECCI

ADIMEMBER



consip
acquistinretepa.it
Il Portale degli Appalti della Pubblica Amministrazione

DotBox

MADE IN ITALY

Varnish
Vernici
Vernis
Lacke

Cabinet Body
Corpo
Caisson
Korpus



-V1
S711 (RAL 9010)
Pure white



-V2
7044 (RAL 7044)
Silk grey

Glass
Vetro
Verre
Glas

Lacquer
Laccato
Laqué
Lackiert

Top
Plano
Plateau
Tischplatte

