

Benci

MADE IN ITALY

Bench W 1200 mm

W 1200 mm x D 440 mm x H 420 mm

Body: metal

V4 ○ white RAL 9010

VN4 ● blue atlas

VN1 ● steel bronze

V16 ● manganese

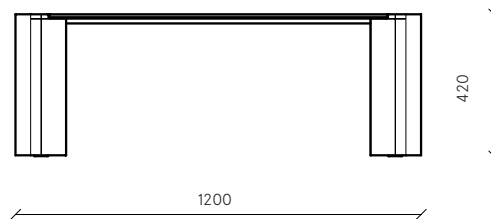
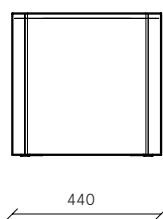
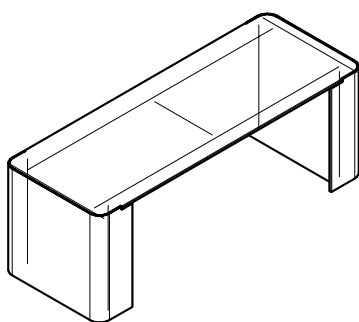
art.6BE120440 S708

art.6BE120440 S329

art.6BE120440 S112

art.6BE120440 S051

DESIGN 967 ARCH



Benci

MADE IN ITALY

Bench W 1200 mm

W 1200 mm x D 440 mm x H 420 mm

DESIGN 967 ARCH

DESCRIPTION	Bench W 1200 mm	COLORS	> Structure available in 4 standard colors: V4 white (RAL 9010) VN4 blue atlas VN1 steel bronze V16 manganese > Standard semi-gloss colors > Customizable colors available upon request and with an extra charge: www.dieffebi.com/docs/299/2832/DFB_Colour-Chart-2020.pdf
DIMENSIONS	W 1200 mm x D 440 mm x H 420 mm		
PRODUCTION	> Dieffebi S.p.a. > Start of production: 2019 > Country of production: Italy		
MATERIALS	> Recycled and recyclable metal		
FINISHING	> Low-emission powder coating (material inert) > Heavy metals free > Absence of sharp edges > Anti-glare finish > It does not contain VOCs	ACCESSORIES	> Seat pad for bench available in 4 standard colors: TP1 green TP4 light blue TP6 yellow TP5 red > Charging plug
		NET WEIGHT	36,00 Kg
		MAINTENANCE	> Clean with a soft cloth > Do not treat the surfaces with abrasive cloths
		PACKAGING	> volume: 0.25 m3 > Packed in cardboard box > Supplied assembled > No. of packages: 1
		END OF USE	> Equipped with disassembly card for disposal
		WARRANTY	> Dieffebi guarantees that the product was made using high quality materials - See warranty document

Benci

MADE IN ITALY

Bench W 1200 mm

W 1200 mm x D 440 mm x H 420 mm

DESIGN 967ARCH

WELLNESS AND ENVIRONMENT > Green design in accordance with LEED® standards, to design and furnish environments with a high sustainability content



FINISHING TEST

UNI EN ISO 2409:2013	EN ISO 1520:2006
NSS UNI EN ISO 9227:2017	UNI EN ISO 6272-1:2013
UNI EN 15187:2007	UNI EN 15185:2011
EN 12720:2013	UNI EN 15186:2012, met. B
EN 12721:2013	UNI 9300:2015
UNI 9429:2015	

CLASS OF REACTION TO FIRE > Structure: class 0

POSITIONING > Both on the wall and in the center of the room



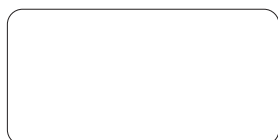
ADIMEMBER



Benci

Varnish
Vernici
Vernis
Lacke

Cabinet Body
Corpo
Caisson
Korpus



-V4
S708 (RAL 9010)
Pure white textured finish



-VN4
S329
Atlante blue



-VN1
S112
Steel bronze



-V16
S051
Manganese

Charging plug
Carica device
Prise pour
chargeurs
Laderstecker



-V4
S708 (RAL 9010)
Pure white textured finish



-VN4
S329
Atlante blue



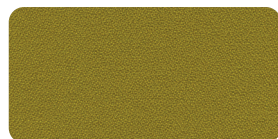
-VN1
S112
Steel bronze



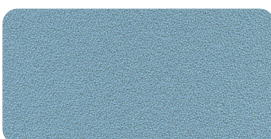
-V16
S051
Manganese

Fabrics
Tessuti
Tissus
Textilien

Seat pad for bench
Cuscino per panca
Coussin pour banc
Kissen für Sitzbank



-TP1
426
Mirage, Pugi · PG



-TP4
386
Mirage, Pugi · PG



-TP5
231
Mirage, Pugi · PG



-TP6
53
Mirage, Pugi · PG

Benci

MADE IN ITALY

Bench W 1600 mm

W 1600 mm x D 440 mm x H 420 mm

Body: metal

V4 ○ white RAL 9010

VN4 ● blue atlas

VN1 ● steel bronze

V16 ● manganese

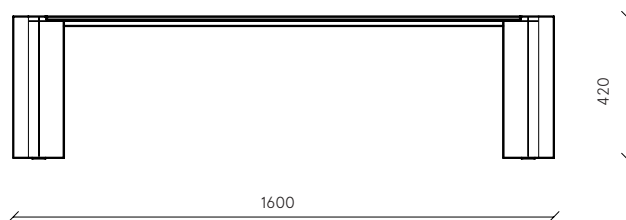
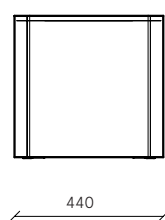
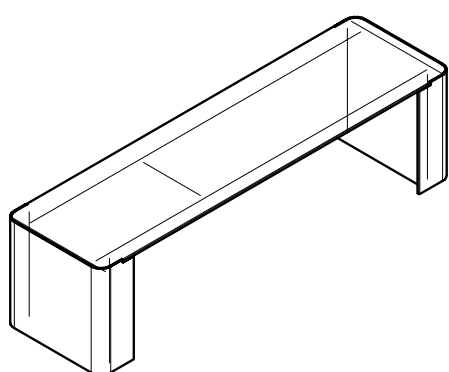
art.6BE160440 S708

art.6BE160440 S329

art.6BE160440 S112

art.6BE160440 S051

DESIGN 967 ARCH



Benci

MADE IN ITALY

Bench W 1600 mm

W 1600 mm x D 440 mm x H 420 mm

DESIGN 967 ARCH

DESCRIPTION	Bench W 1600 mm	COLORS	<ul style="list-style-type: none"> > Structure available in 4 standard colors: <ul style="list-style-type: none"> V4 white (RAL 9010) VN4 blue atlas VN1 steel bronze V16 manganese > Standard semi-gloss colors > Customizable colors available upon request and with an extra charge: www.dieffebi.com/docs/299/2832/DFB_Colour-Chart-2020.pdf
DIMENSIONS	W 1600 mm x D 440 mm x H 420 mm	ACCESSORIES	<ul style="list-style-type: none"> > Seat pad for bench available in 4 standard colors: <ul style="list-style-type: none"> TP1 green TP4 light blue TP6 yellow TP5 red > Charging plug
PRODUCTION	<ul style="list-style-type: none"> > Dieffebi S.p.a. > Start of production: 2019 > Country of production: Italy 	NET WEIGHT	43,00 Kg
MATERIALS	> Recycled and recyclable metal	MAINTENANCE	<ul style="list-style-type: none"> > Clean with a soft cloth > Do not treat the surfaces with abrasive cloths
FINISHING	<ul style="list-style-type: none"> > Low-emission powder coating (material inert) > Heavy metals free > Absence of sharp edges > Anti-glare finish > It does not contain VOCs 	PACKAGING	<ul style="list-style-type: none"> > volume: 0,33 m3 > Packed in cardboard box > Supplied assembled > No. of packages: 1
		END OF USE	> Equipped with disassembly card for disposal
		WARRANTY	> Dieffebi guarantees that the product was made using high quality materials - See warranty document

Benci

MADE IN ITALY

Bench W 1600 mm

W 1600 mm x D 440 mm x H 420 mm

DESIGN 967ARCH

WELLNESS AND ENVIRONMENT > Green design in accordance with LEED® standards, to design and furnish environments with a high sustainability content



FINISHING TEST	UNI EN ISO 2409:2013	EN ISO 1520:2006
	NSS UNI EN ISO 9227:2017	UNI EN ISO 6272-1:2013
	UNI EN 15187:2007	UNI EN 15185:2011
	EN 12720:2013	UNI EN 15186:2012, met. B
	EN 12721:2013	UNI 9300:2015
	UNI 9429:2015	

CLASS OF REACTION TO FIRE > Structure: class 0

POSITIONING > Both on the wall and in the center of the room



ADIMEMBER



Dieffebi SpA

via Palù 36
San Vendemiano,
31020 Treviso - Italia

T +39 0438 4715
F +39 0438 471600
exportsales@dieffebi.com
vendite@dieffebi.com
www.dieffebi.com

Benci

Varnish
Vernici
Vernis
Lacke

Cabinet Body
Corpo
Caisson
Korpus



-V4
S708 (RAL 9010)
Pure white textured finish



-VN4
S329
Atlante blue



-VN1
S112
Steel bronze



-V16
S051
Manganese

Charging plug
Carica device
Prise pour
chargeurs
Laderstecker



-V4
S708 (RAL 9010)
Pure white textured finish



-VN4
S329
Atlante blue



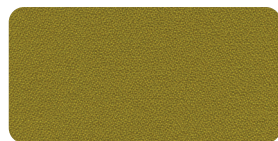
-VN1
S112
Steel bronze



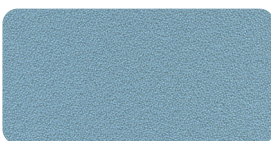
-V16
S051
Manganese

Fabrics
Tessuti
Tissus
Textilien

Seat pad for bench
Cuscino per panca
Coussin pour banc
Kissen für Sitzbank



-TP1
426
Mirage, Pugi · PG



-TP4
386
Mirage, Pugi · PG



-TP5
231
Mirage, Pugi · PG



-TP6
53
Mirage, Pugi · PG

Benci

MADE IN ITALY

Bench W 1800 mm

W 1800 mm x D 440 mm x H 420 mm

Body: metal

V4 ○ white RAL 9010

VN4 ● blue atlas

VN1 ● steel bronze

V16 ● manganese

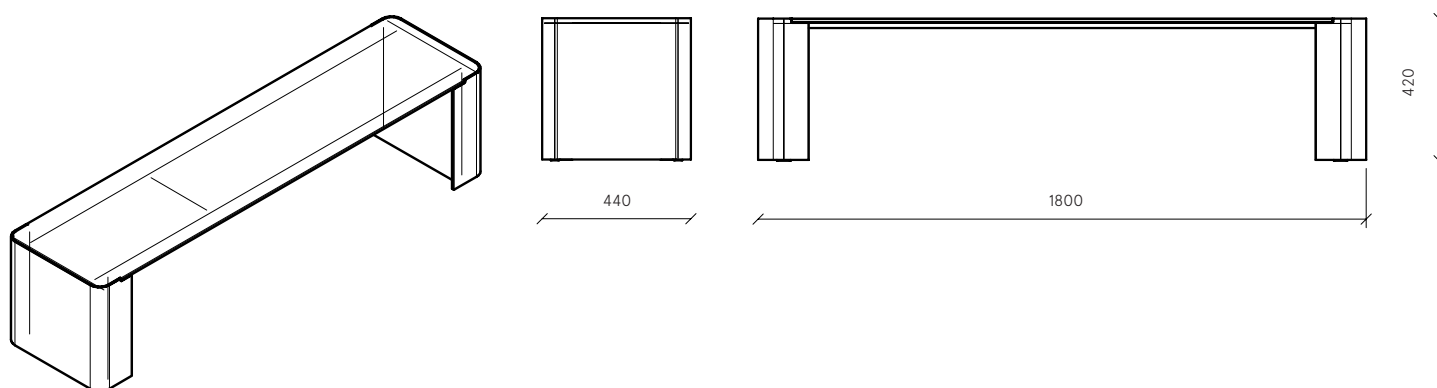
art.6BE180440 S708

art.6BE180440 S329

art.6BE180440 S112

art.6BE180440 S051

DESIGN 967 ARCH



Benci

MADE IN ITALY

Bench W 1800 mm

W 1800 mm x D 440 mm x H 420 mm

DESIGN 967 ARCH

DESCRIPTION	Bench W 1800 mm	COLORS	<ul style="list-style-type: none"> > Structure available in 4 standard colors: <ul style="list-style-type: none"> V4 white (RAL 9010) VN4 blue atlas VN1 steel bronze V16 manganese > Standard semi-gloss colors > Customizable colors available upon request and with an extra charge: www.dieffebi.com/docs/299/2832/DFB_Colour-Chart-2020.pdf
DIMENSIONS	W 1800 mm x D 440 mm x H 420 mm	ACCESSORIES	<ul style="list-style-type: none"> > Seat pad for bench available in 4 standard colors: <ul style="list-style-type: none"> TP1 green TP4 light blue TP6 yellow TP5 red > Charging plug
PRODUCTION	<ul style="list-style-type: none"> > Dieffebi S.p.a. > Start of production: 2019 > Country of production: Italy 	NET WEIGHT	45,00 Kg
MATERIALS	> Recycled and recyclable metal	MAINTENANCE	<ul style="list-style-type: none"> > Clean with a soft cloth > Do not treat the surfaces with abrasive cloths
FINISHING	<ul style="list-style-type: none"> > Low-emission powder coating (material inert) > Heavy metals free > Absence of sharp edges > Anti-glare finish > It does not contain VOCs 	PACKAGING	<ul style="list-style-type: none"> > volume: 0,38 m3 > Packed in cardboard box > Supplied assembled > No. of packages: 1
		END OF USE	> Equipped with disassembly card for disposal
		WARRANTY	> Dieffebi guarantees that the product was made using high quality materials - See warranty document

Benci

MADE IN ITALY

Bench W 1800 mm

W 1800 mm x D 440 mm x H 420 mm

DESIGN 967ARCH

WELLNESS AND ENVIRONMENT > Green design in accordance with LEED® standards, to design and furnish environments with a high sustainability content



FINISHING TEST	UNI EN ISO 2409:2013	EN ISO 1520:2006
	NSS UNI EN ISO 9227:2017	UNI EN ISO 6272-1:2013
	UNI EN 15187:2007	UNI EN 15185:2011
	EN 12720:2013	UNI EN 15186:2012, met. B
	EN 12721:2013	UNI 9300:2015
	UNI 9429:2015	

CLASS OF REACTION TO FIRE > Structure: class 0

POSITIONING > Both on the wall and in the center of the room



ADIMEMBER



Dieffebi SpA

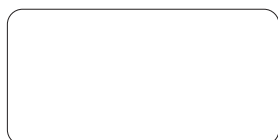
via Palù 36
San Vendemiano,
31020 Treviso - Italia

T +39 0438 4715
F +39 0438 471600
exportsales@dieffebi.com
vendite@dieffebi.com
www.dieffebi.com

Benci

Varnish
Vernici
Vernis
Lacke

Cabinet Body
Corpo
Caisson
Korpus



-V4
S708 (RAL 9010)
Pure white textured finish



-VN4
S329
Atlante blue



-VN1
S112
Steel bronze



-V16
S051
Manganese

Charging plug
Carica device
Prise pour
chargeurs
Laderstecker



-V4
S708 (RAL 9010)
Pure white textured finish



-VN4
S329
Atlante blue



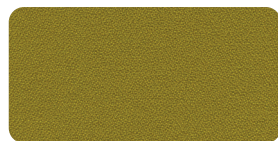
-VN1
S112
Steel bronze



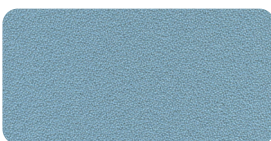
-V16
S051
Manganese

Fabrics
Tessuti
Tissus
Textilien

Seat pad for bench
Cuscino per panca
Coussin pour banc
Kissen für Sitzbank



-TP1
426
Mirage, Pugi · PG



-TP4
386
Mirage, Pugi · PG



-TP5
231
Mirage, Pugi · PG



-TP6
53
Mirage, Pugi · PG